

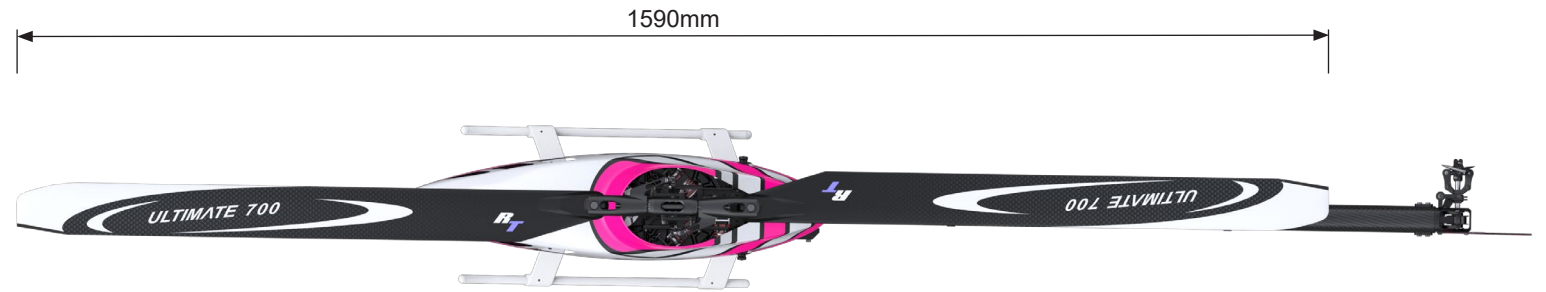
OMP HOBBY®

M7R

*Instruction
Manual*



REVISION IV



| | | | |
|------------------------------------|------|--|------|
| Upper Frame Assembly | P 1 | Tail Fin Installation | P 21 |
| ESC Plate Installation | P 2 | Motor Mount Assembly | P 22 |
| Lower Frame Components | P 3 | Motor Installation | P 23 |
| Lower Frame Components Cont. | P 4 | Canopy Mount Installation | P 24 |
| Tail Belt Tensioner and Boom Mount | P 5 | Tail Control Rod Assembly | P 25 |
| Boom Mount Installation | P 6 | Tail Control Rod Installation | P 26 |
| Lower Frame Assembly | P 7 | Swashplate and Linkage Assembly | P 27 |
| Quick Release Installation | P 8 | Swashplate Installation | P 28 |
| Cyclic Servo Installation | P 9 | Main Rotor Head Assembly | P 29 |
| Tail Component Assembly | P 10 | Main Rotor Head Assembly cont. | P 30 |
| Tail Case Assembly | P 11 | Swashplate Guide Installation | P 31 |
| Tail Rotor Head Assembly | P 12 | Main Rotor Head Installation | P 32 |
| Tail Assembly | P 13 | Rotor Blade Installation | P 33 |
| Main Drive Assembly | P 14 | Tail Rotor Blade Installation | P 34 |
| Transmission Installation | P 15 | Battery Installation | P 35 |
| Main Shaft Installation | P 16 | ESC and Flight Controller Installation | P 36 |
| Tail Belt Orientation | P 17 | Canopy Installation | P 37 |
| Third Bearing Block Installation | P 18 | Additional Accessories | P 38 |
| Landing Skid Installation | P 19 | M7 to M7R Conversion | P 39 |
| Tail Servo Installation | P 20 | Parts and Accessories | P 42 |

Symbol Guide

 **Important Note**

 **Assembly Requires AB Glue (Two-Part Epoxy)**

 **Assembly Requires Grease**

 **Middle Strength Thread Locker Required**

 **High Strength Thread Locker/Bearing Retaining Compound Required**

OMPHOBBY M7R General Information

- Airframe Weight: 2070 ±15 g *
- Main Blade Length: 690-716 mm
- Tail Blade Length: 105-116 mm
- Battery Bay Dimensions: 355 x 69 x 68 mm (l x w x h)
- Swashplate Servo Size: 20 mm
- Tail Servo Size: 20 mm
- Tail Ratio: 110/22 = 5.0
- Flying Weight: ~5100 - 5500 g

*Including Canopy, 13T pinion, servo/motor/blade mounting hardware, battery tray, Excluding FBL mass damper, velcro straps, servo arms

Gearing Options (Pinion marked with * included in the kit)

| Main Gear | Pinion | Gear Ratio |
|-----------|--------|------------|
| 122T | 11t | 11.091 |
| | 12t | 10.167 |
| | 13t* | 9.385 |
| | 14t | 8.714 |
| | 15t | 8.133 |

Recommended Rotor Speeds and Collective Angles

| Flying Style | Recommended RPM Range | Recommended Collective Pitch Range |
|--------------------|-----------------------|------------------------------------|
| Hovering | 1300-1500 RPM | -5° ~ +12° |
| Low RPM 3D | 1200-1400 RPM | ±15° |
| Sport Flying | 1400-1700 RPM | ±14° |
| Aerobatics/Soft 3D | 1700-2000 RPM | ±14° |
| Hard 3D | 2100-2250 RPM | ±13° |

Airframe Limitations

The OMPHOBBY M7R is engineered to meet the highest standards of 3D flight. However, certain limitations apply to the airframe to guarantee safe operation and longevity of the model and its components. Operating the M7R outside these limitations, or modifying any parts, will void any product warranty and might endanger yourself and others. RC helicopters are not toys. Mishandling can lead to serious injury or death. The pilot assumes full responsibility for the use of this product.



Limitations when flying 700 mm main rotor blades

- Maximum Rotor Speed: 2300 RPM (Including all in-flight transients)
- Maximum Collective Pitch below 1700 RPM: ±15°
- Maximum Collective Pitch 1700 - 2100 RPM: ±14°
- Maximum Collective Pitch above 2100 RPM: ±13°
- Minimum Flight RPM: 1100 RPM
- Recommended Rotor Blades: RotorTech 700mm Ultimate

Limitations when flying 715 mm main rotor blades

- Maximum Rotor Speed: 2250 RPM (Including all in-flight transients)
- Maximum Collective Pitch below 1650 RPM: ±15°
- Maximum Collective Pitch 1650 - 2050 RPM: ±14°
- Maximum Collective Pitch above 2050 RPM: ±13°
- Minimum Flight RPM: 1100 RPM
- Recommended Rotor Blades: RotorTech 715mm Ultimate

 **Always obey the RPM limits of your rotor blades. Never fly with damaged or unbalanced rotor blades.** 

 **If using the optional 1:1 geometry, the pilot must electronically limit the helicopter to a maximum cyclic pitch deflection of 14.5° in any direction. Cyclic angles larger than 14.5° must not be used under any circumstances.** 

Motor Selection and Limitations

Motor Shaft

M7R only supports motor shaft of 6mm diameter, length 15 - 65 mm.

Mounting Pattern

M7R only supports motors with a M4 x Ø 30mm motor screw pattern, in all orientations.

Canopy Clearance

For fully cylindrical motors with 45xx stators, the maximum motor height is 61 mm.

For fully cylindrical motors with 50xx stators, the maximum motor height is 59 mm.

Motors with chamfered impeller designs might be able to exceed these limitations slightly, fitment in such cases must be assessed individually and cannot be guaranteed by OMPHOBBY.

Additional Setup Data

Main Rotor

- Swashplate Type: CCPM 120°
- Main Rotor Direction: Clockwise
- Cyclic Blade Pitch Limit: 14.4°
- Collective Blade Pitch Limit: 14°
- Total Blade Pitch Limit: 22°-24°
- Swashplate Phase Angle: 0°

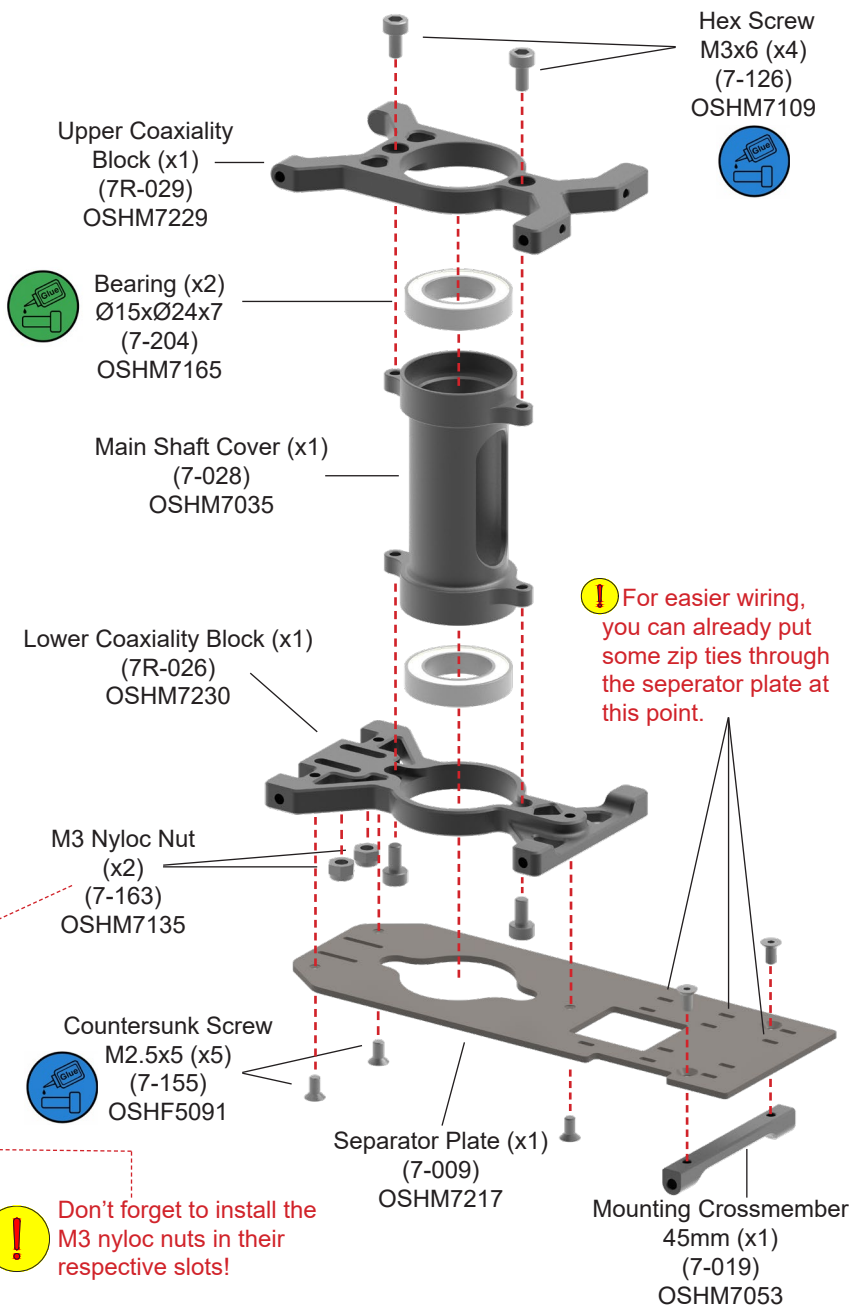
Tail Rotor

- CW Yaw Blade Angle Limit: 44.5°
- CCW Yaw Blade Angle Limit: 31.2°

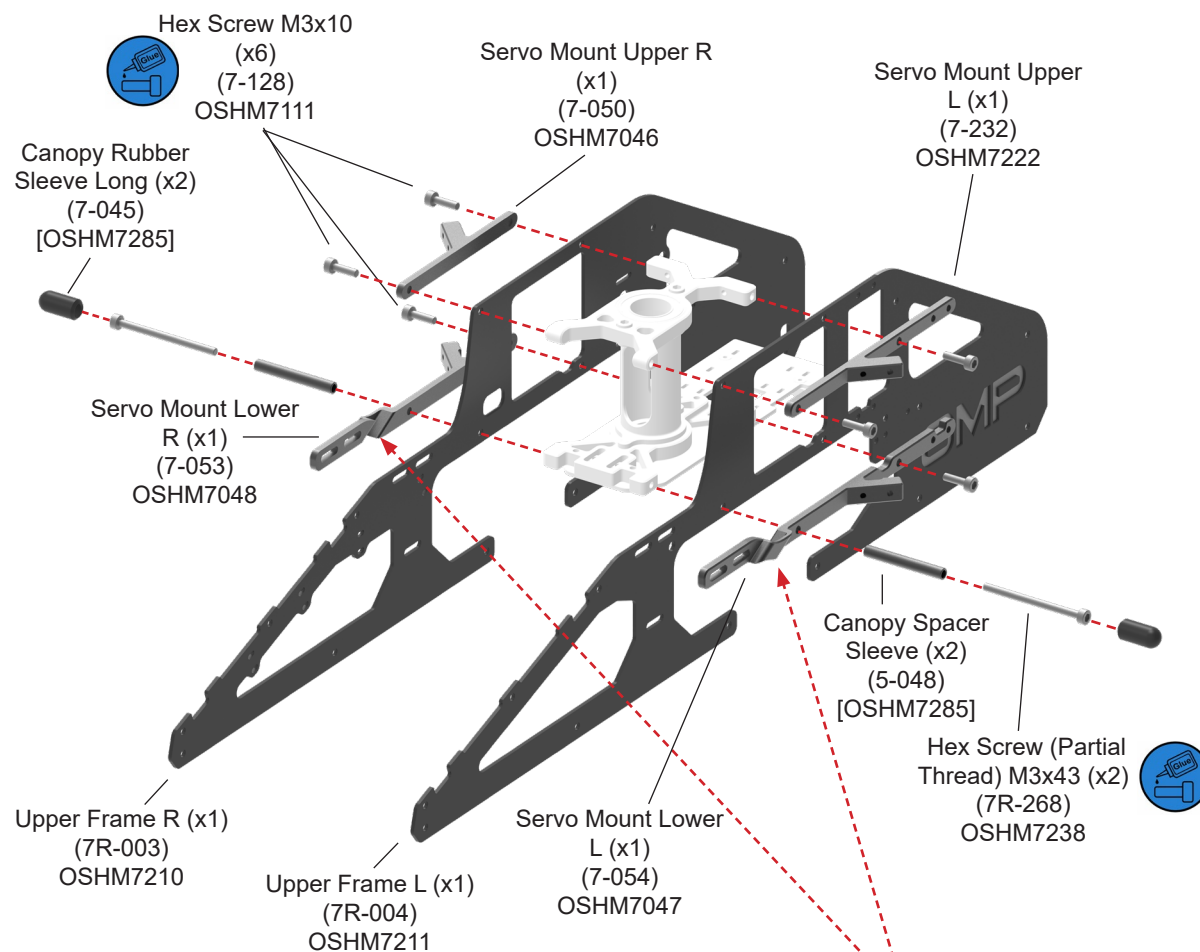
Gear Ratios

- Tail Ratio: [22] : [110]
- Main Gear Ratio: [13] : [122]

01 Central Dome Assembly

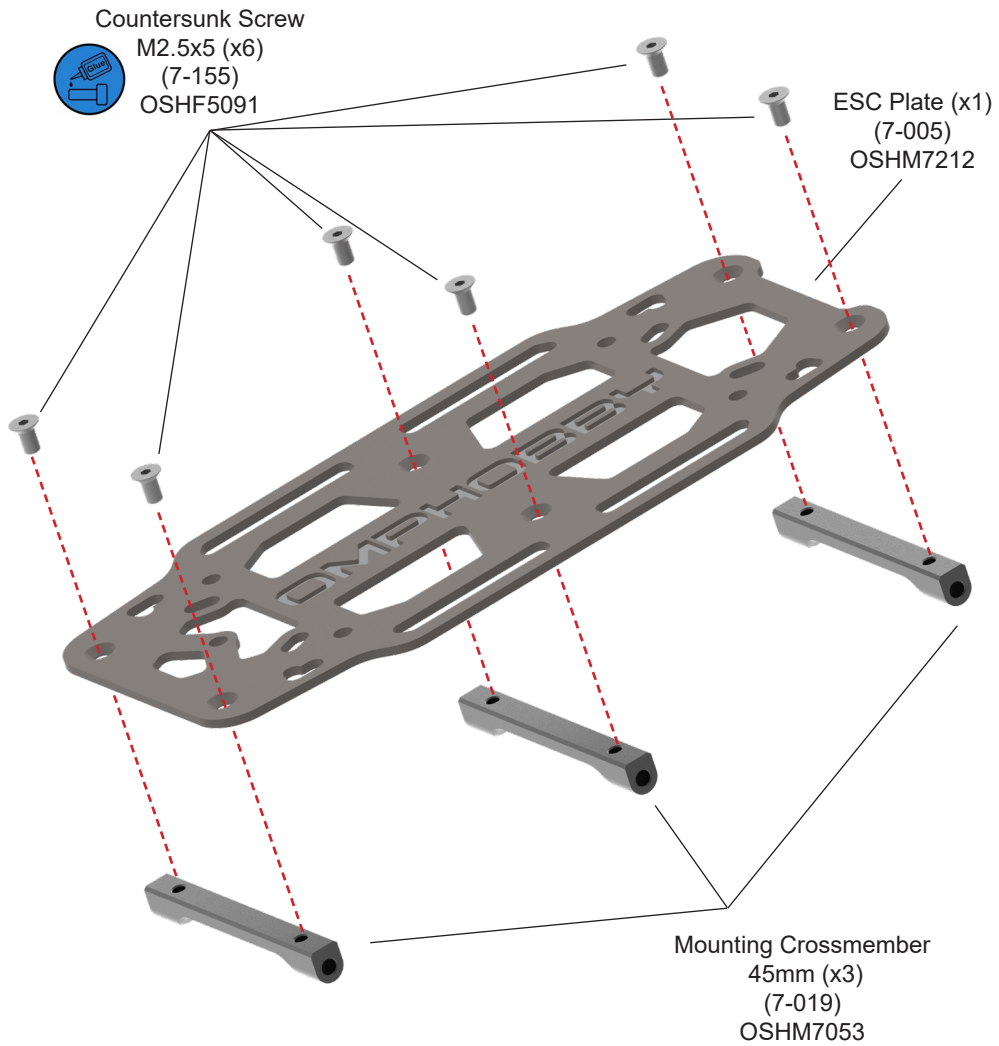


02 Upper Side Panel Assembly

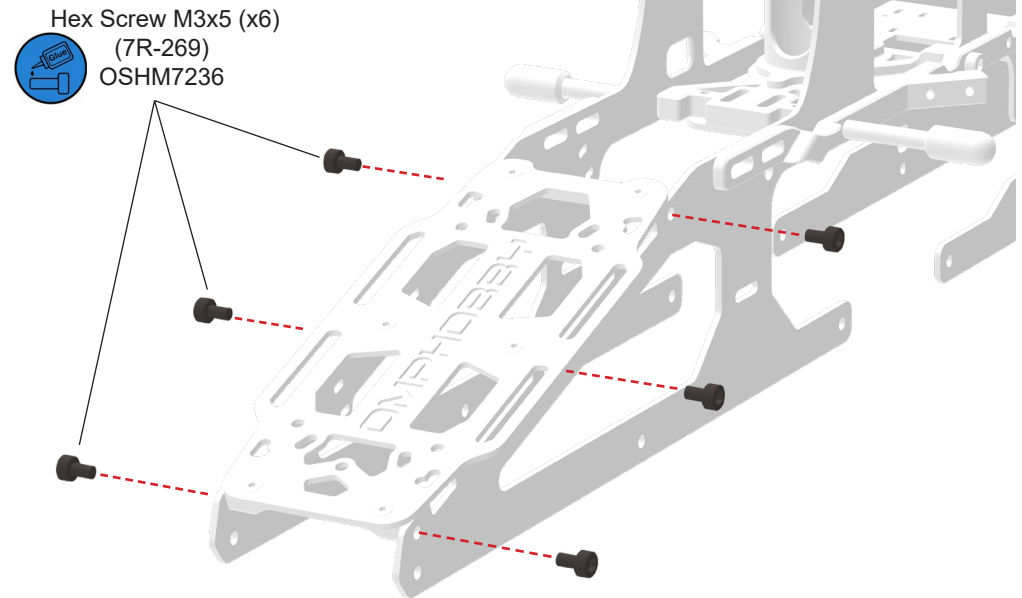


! If you wish to route the ESC wires through the slots in the servo mounts, it is recommended to do so at this step, or to not apply thread locker to the screws of the respective mount yet.

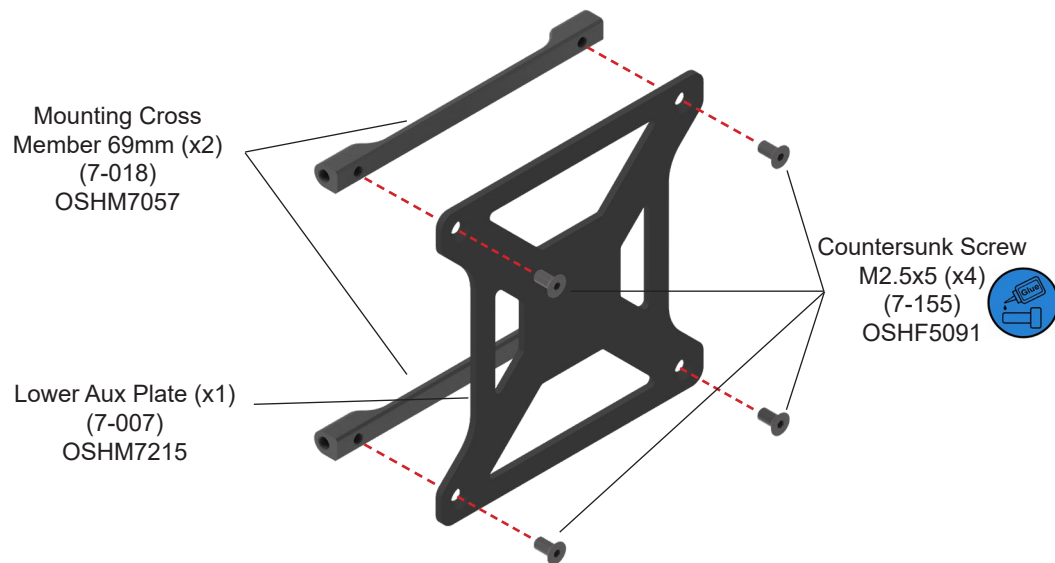
01 ESC Plate Assembly



02 ESC Plate Installation

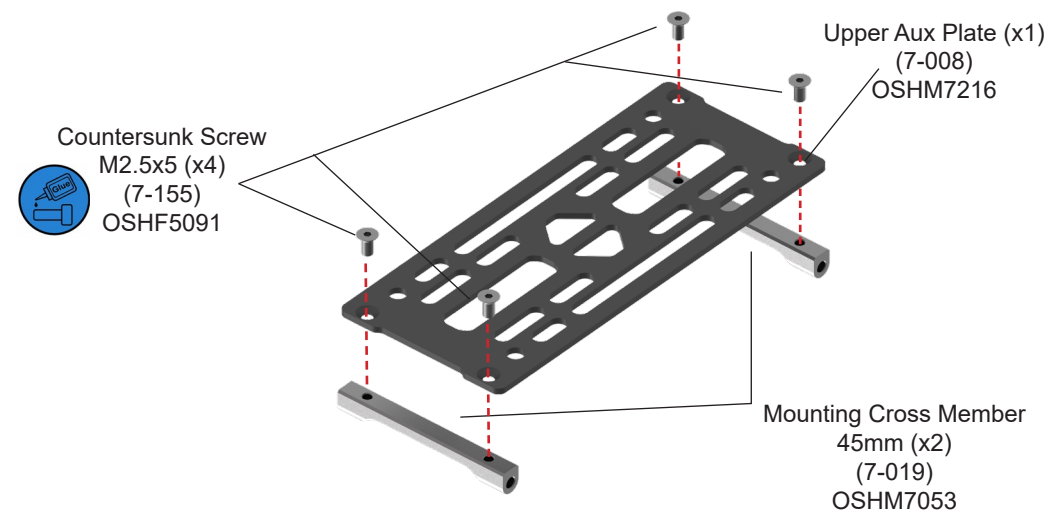


01 Lower Aux Plate Assembly

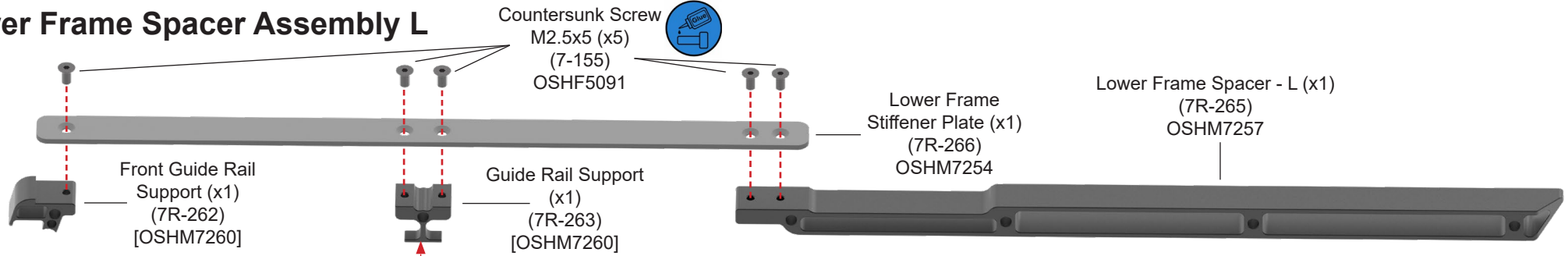


02 Upper Aux Plate Assembly

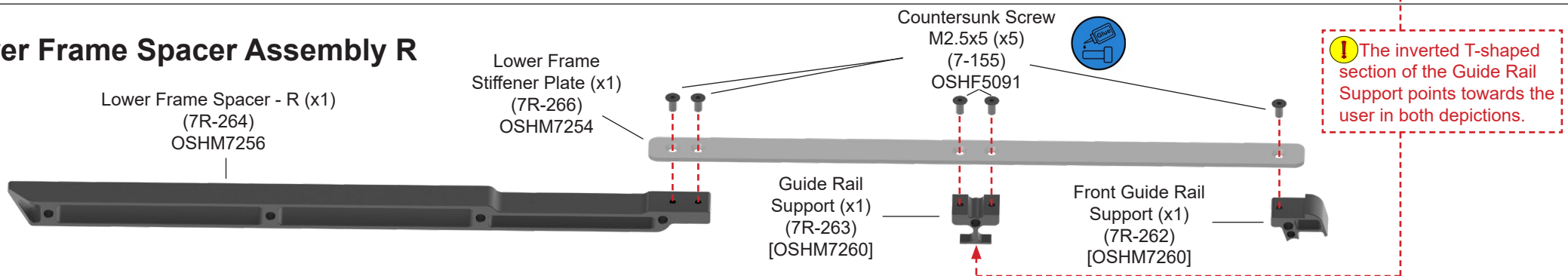
BAG 3



03 Lower Frame Spacer Assembly L

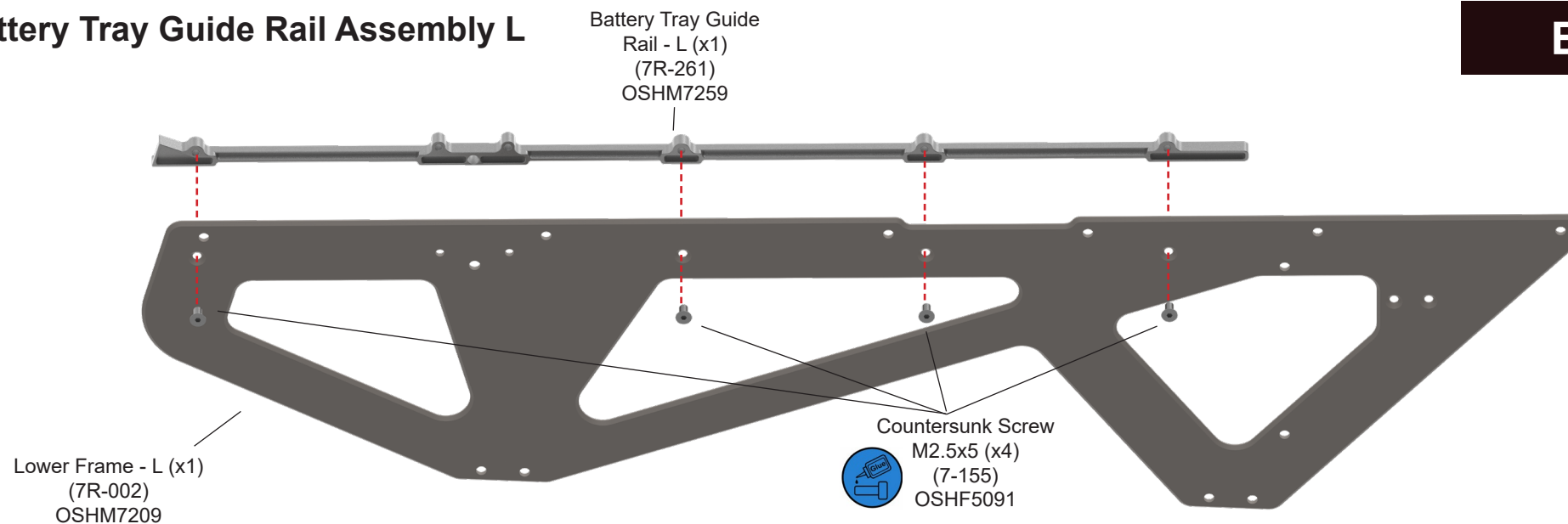


04 Lower Frame Spacer Assembly R

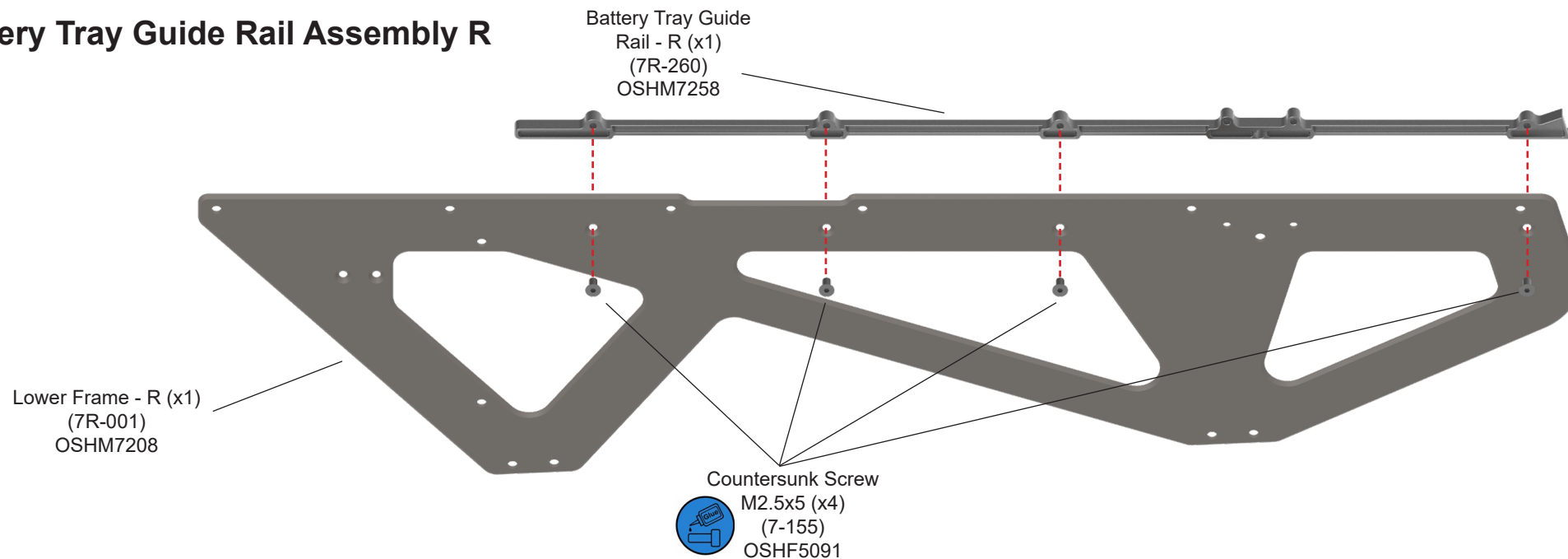


BAG 4

01 Battery Tray Guide Rail Assembly L

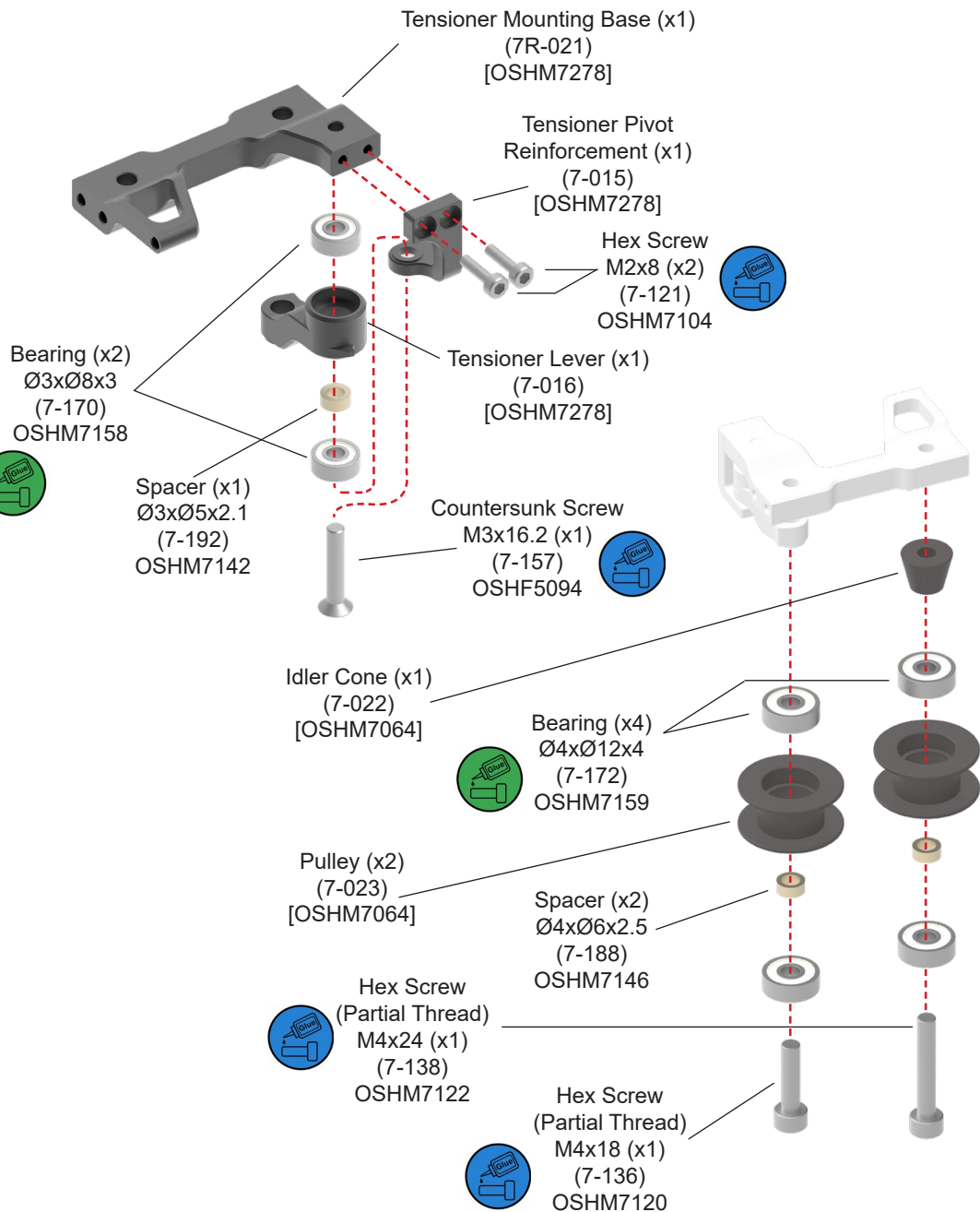


02 Battery Tray Guide Rail Assembly R

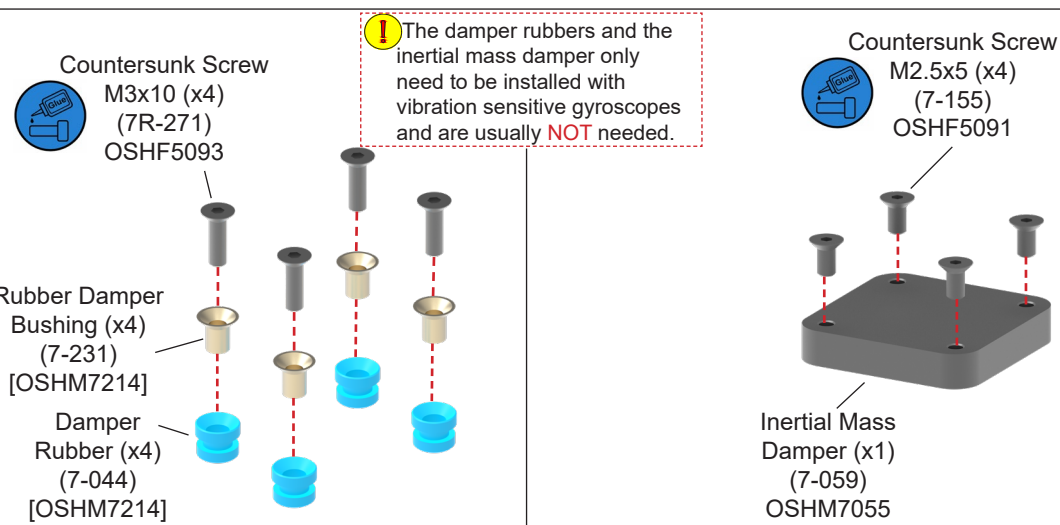
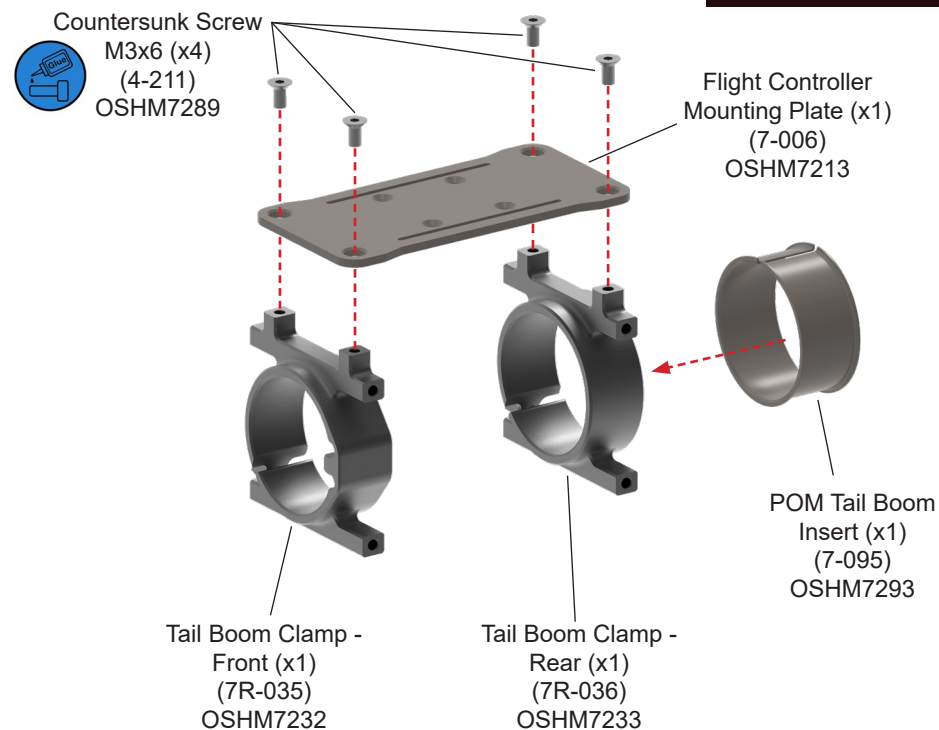


BAG 5

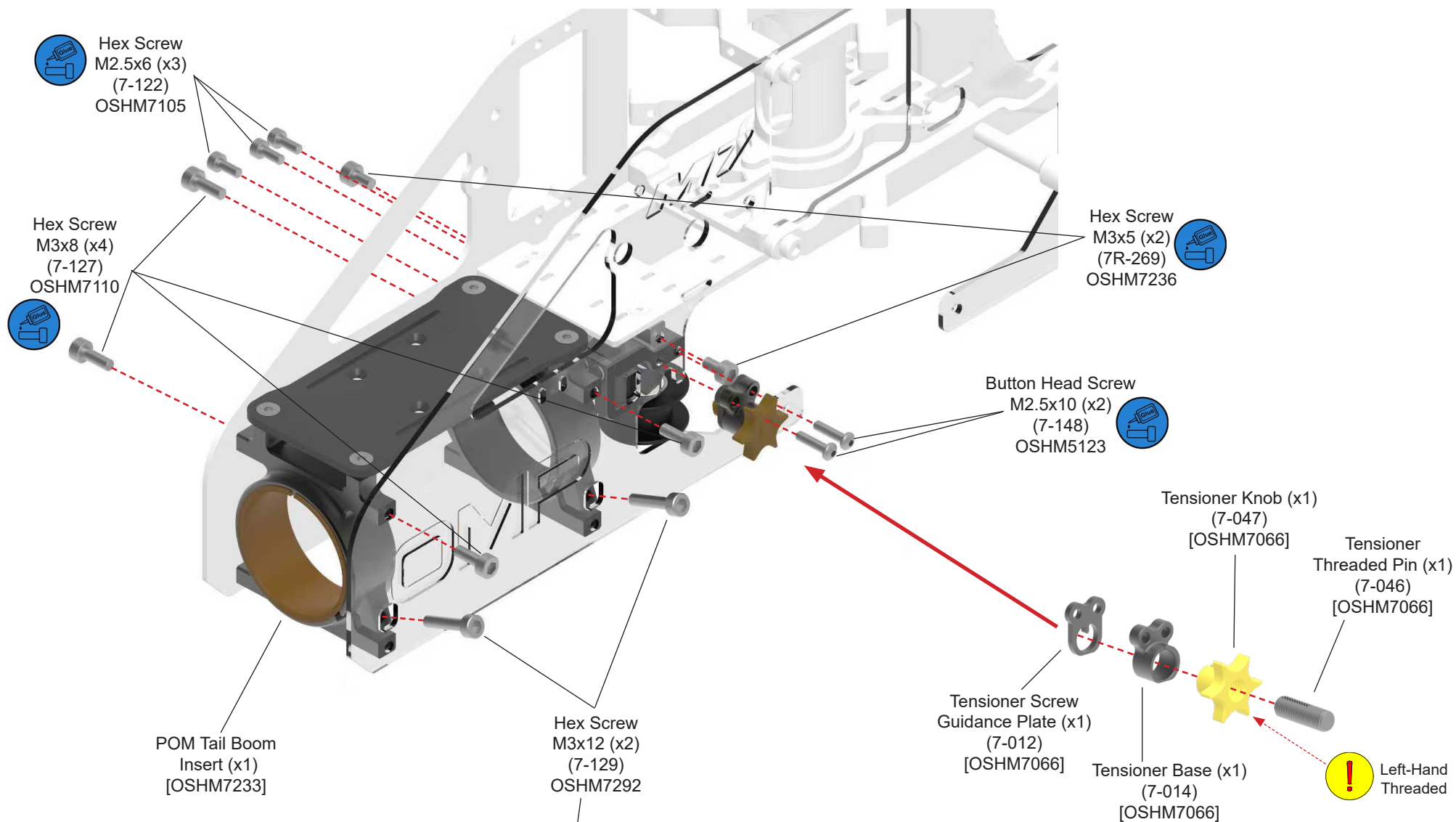
01 Tensioner Idler Pulley Assembly



02 Boom Clamp & FC Plate Assembly



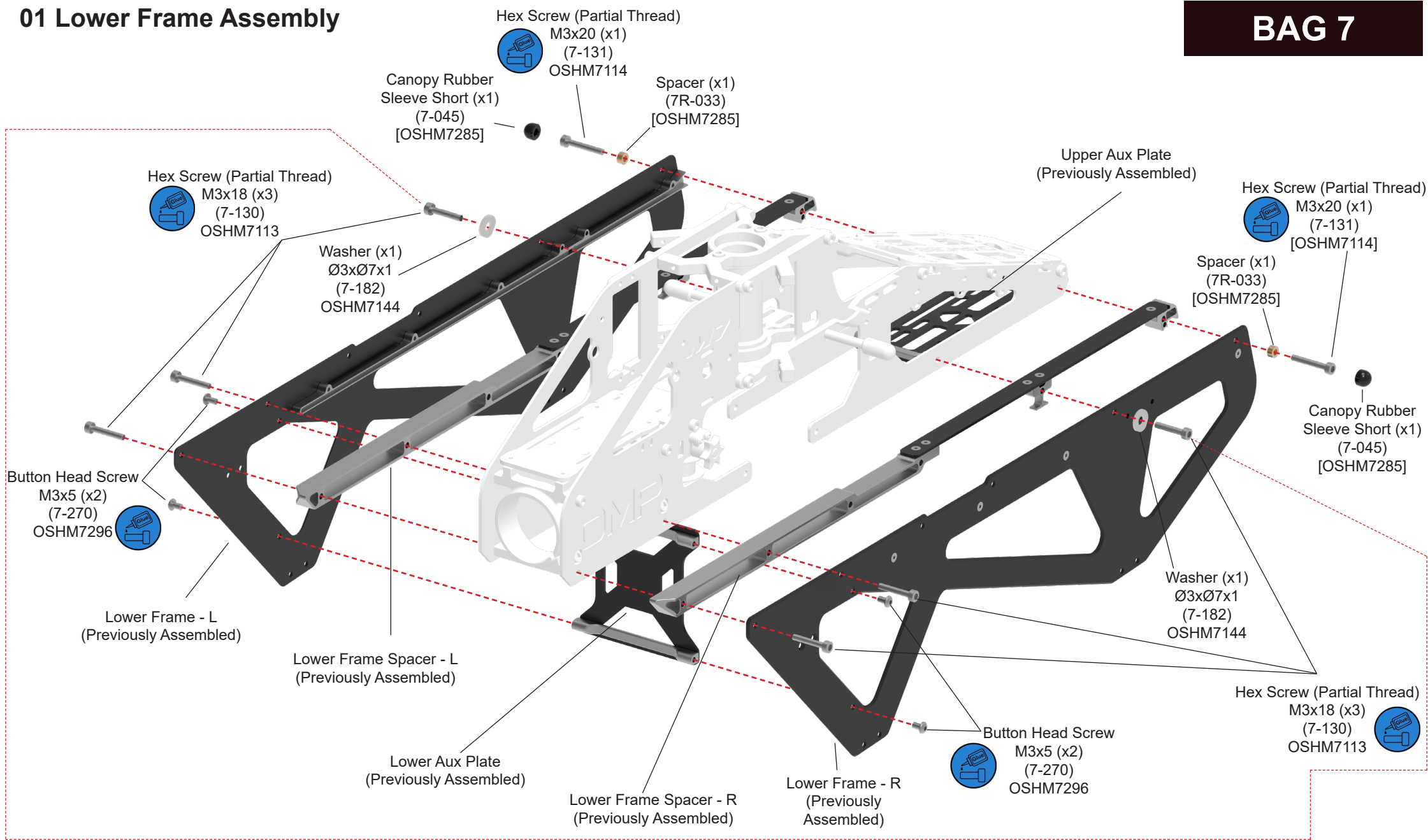
02 Tensioner and Boom Clamp Assembly



The 2x M3x12 screws should be dry-fit and will be fully tightened at a later step in the assembly process.



01 Lower Frame Assembly



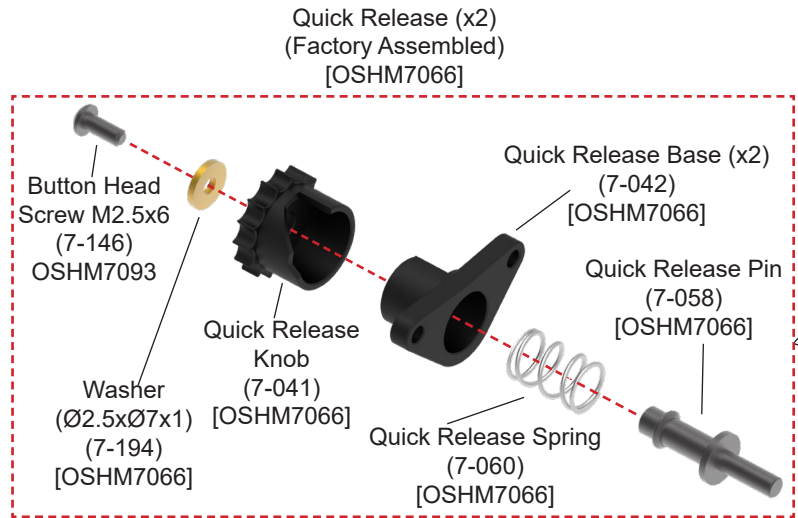
i Kits shipped before 02/2026 include M3x16 screws without the 3x7x1 washer.

01 Battery Quick Release Assembly

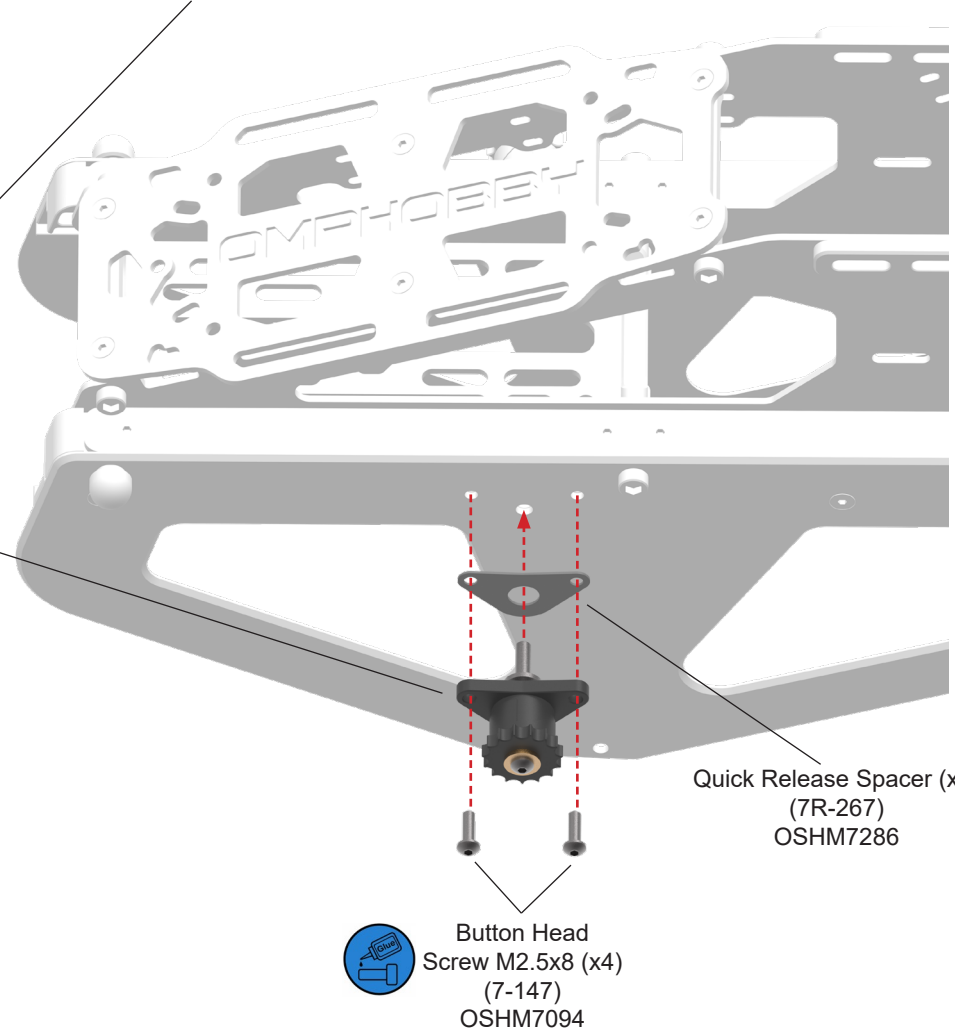
BAG 8



2x Quick release mechanism should be installed on both sides of the M7R. Installation procedure is identical on both sides.



The Quick Release Mechanism is pre-assembled at the factory. Its assembly is illustrated here for maintenance purposes.



01 Servo Assembly and Installation

⚠ Your M7R comes with two types of servo alignment hardware. Choose the ones appropriate for your servo.
This affects only servos 2+3!

⚠ We recommend applying thread locker directly to the threaded bore. This prevents loss of thread locker inside the servo spacers.

Servo Bushing 4.4mm
(x8) (7-349)
OSHM7299

Hex Screw M2.5x10
(x8)
(4-039)
OSHM5123

Servo Spacer (x4)
(7-038)
OSHM7044

Metal Servo Arm - R
(x1)
(7-256)
OSHM7194

Ball Screw
M3xØ6x4.2
(x3) (7-144)
OSHM7131

Hex Screw M3x8
(x3) (7-127)
OSHM7110

Metal Servo Arm - L
(x1)
(7-255)
OSHM7193

Hex Screw M2.5x6
(x3) (7-122)
OSHM7105

18mm

Hex Screw M2.5x10
(x4)
(4-039)
OSHM5123

Metal Servo Arm - R
(x1)
(7-256)
OSHM7194

Servo Nut CNC
4mm (x2)
(7-209)
OSHM7043

Servo Nut CNC
5mm (x2)
(7-037)
OSHM7045

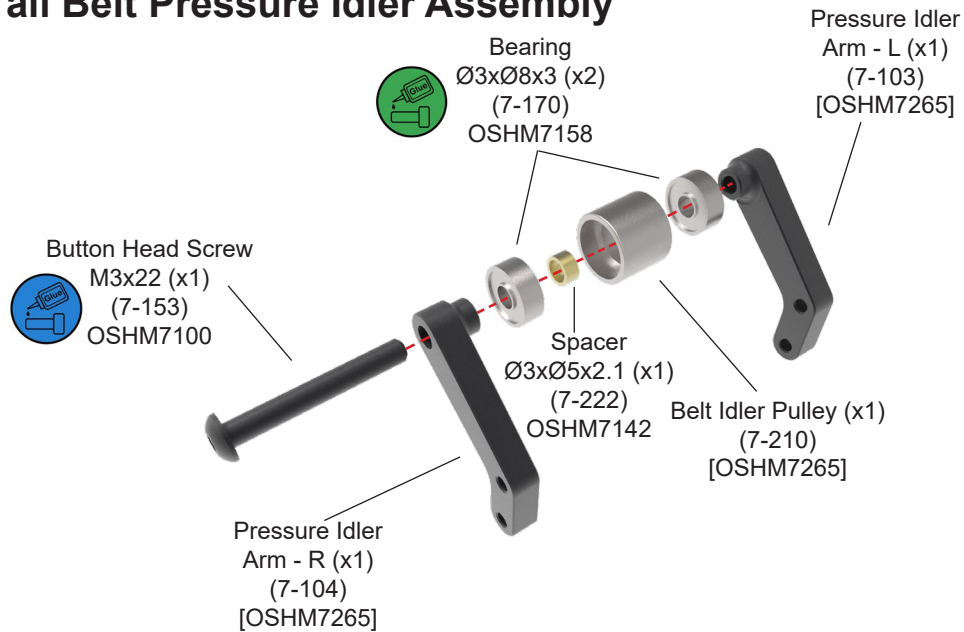
⚠ Your M7R comes with two sets of CNC servo alignment nuts, featuring 4mm studs (marked with a triangle) and 5mm studs. Choose the ones appropriate for your servo.
This affects only servo 1!

⚠ Ensure that all three servos are properly centered, either in the servo itself or in your flight controller, with the servo arm being aligned at exactly 90° to the servo housing.

⚠ The shown Servos are an optional part.

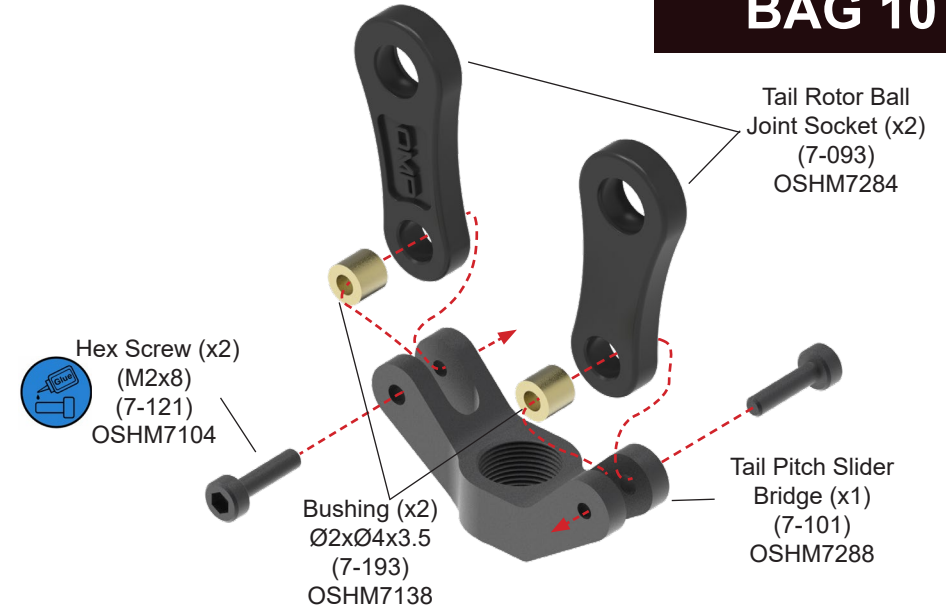
⚠ For easier installation, you may assemble the servo horn of the rear servo (1) after installing the servo into the frame.

01 Tail Belt Pressure Idler Assembly

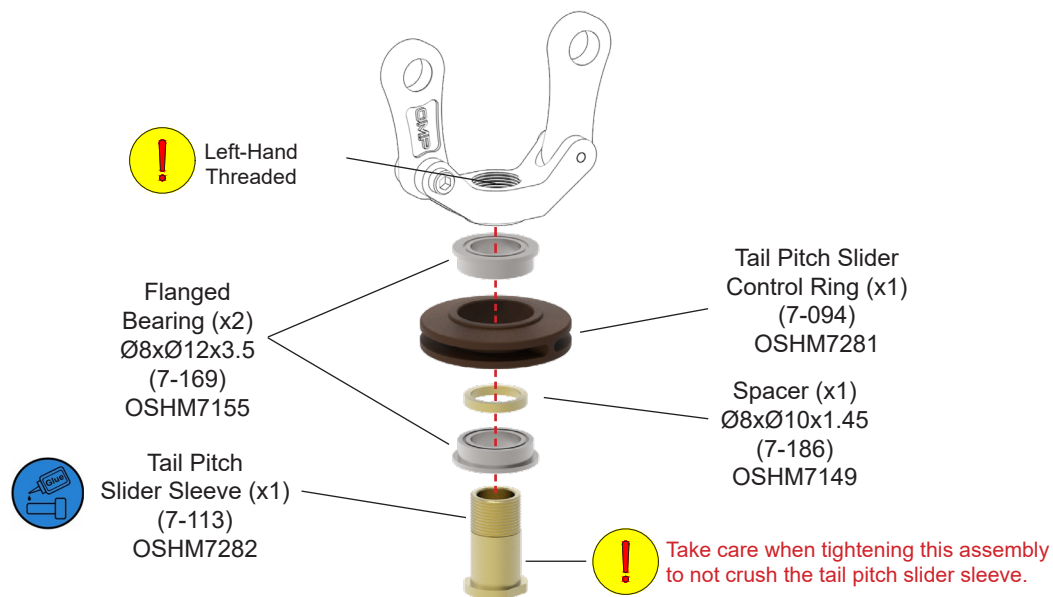


02 Tail Pitch Slider Bridge Assembly

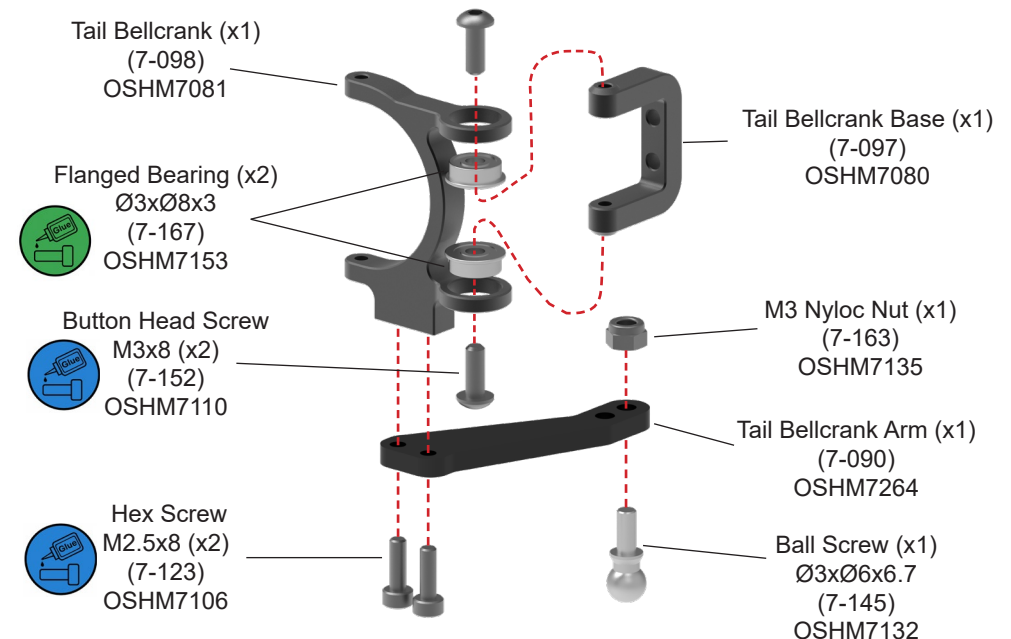
BAG 10



03 Tail Pitch Slider Ring Assembly

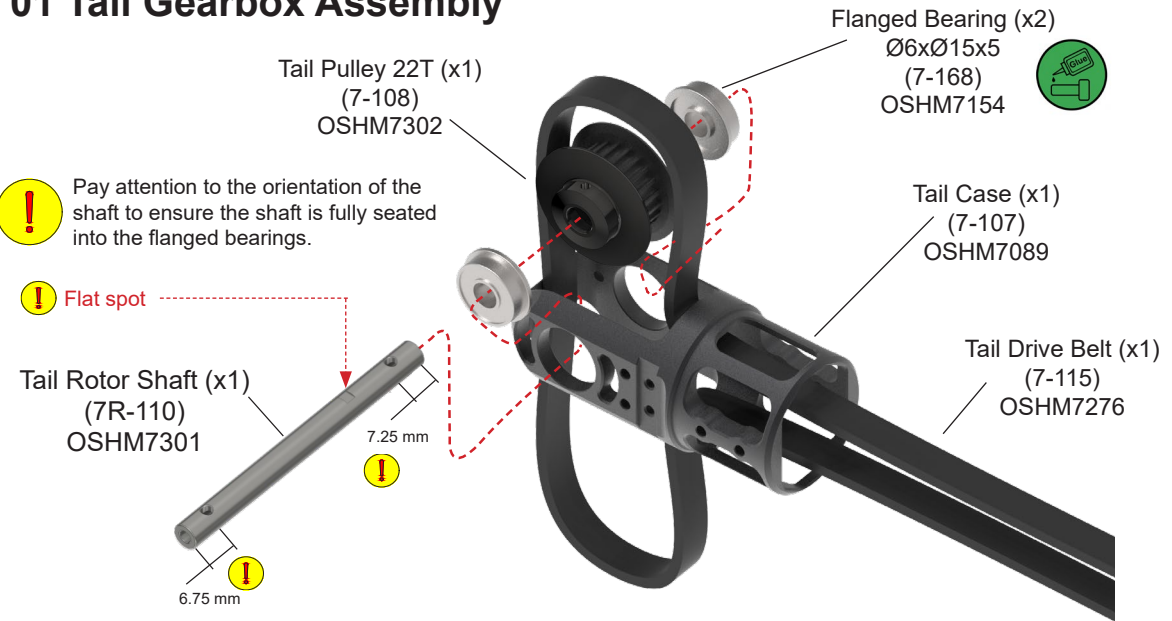


04 Tail Bellcrank Assembly

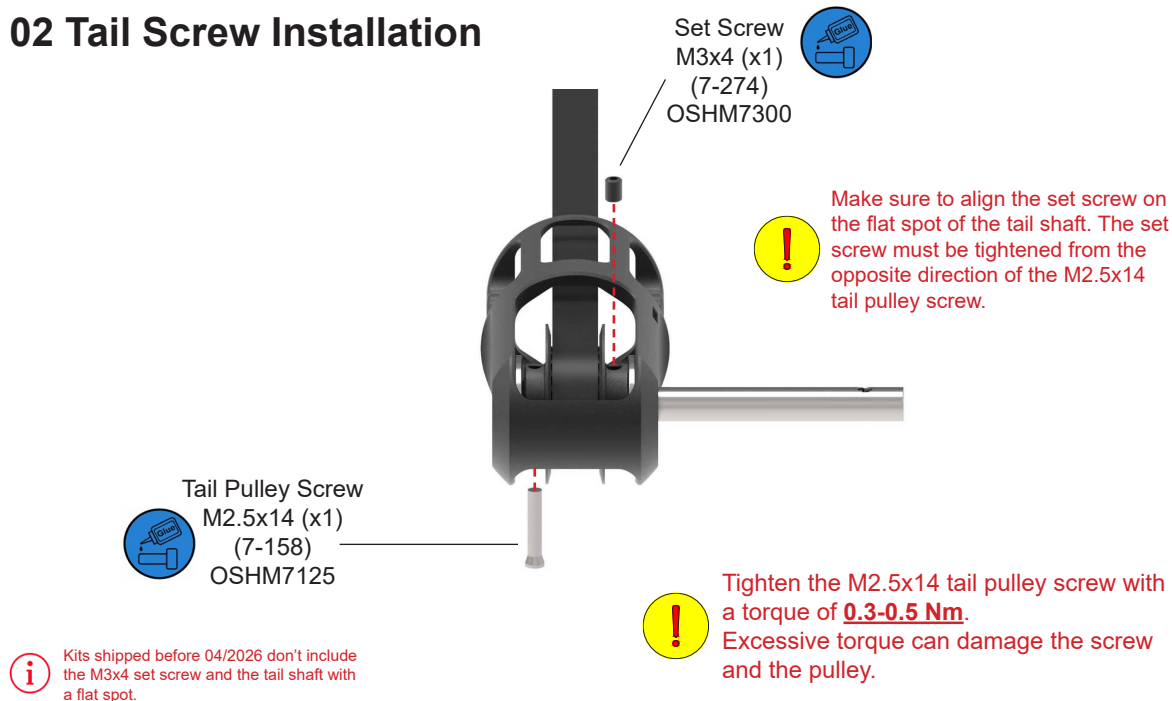


BAG 11

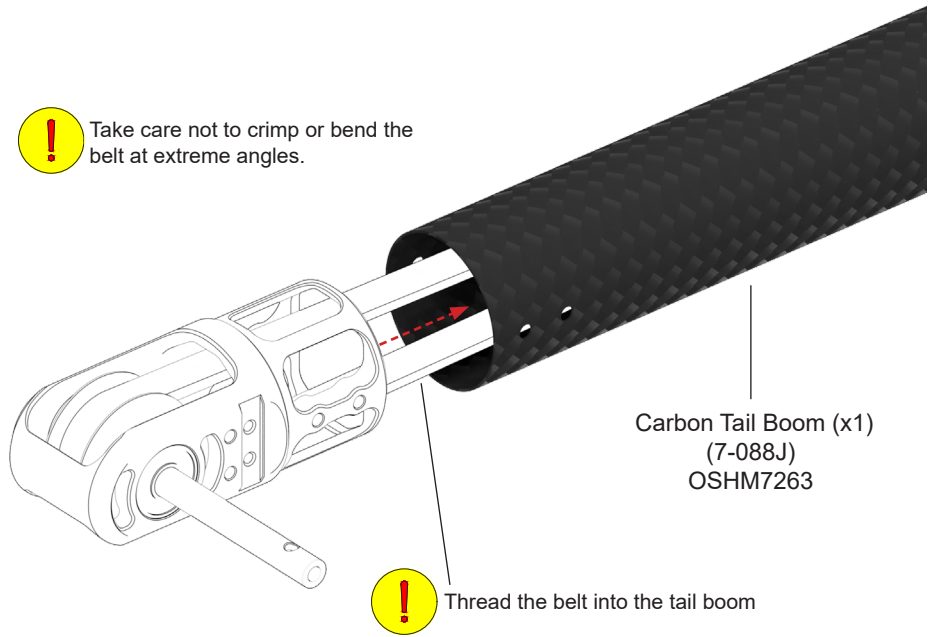
01 Tail Gearbox Assembly



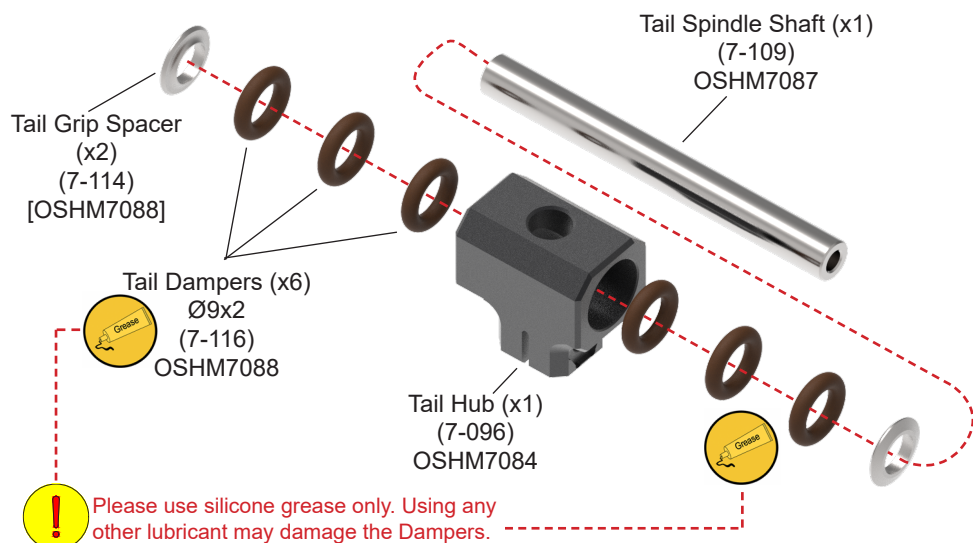
02 Tail Screw Installation



03 Tail Gearbox Installation

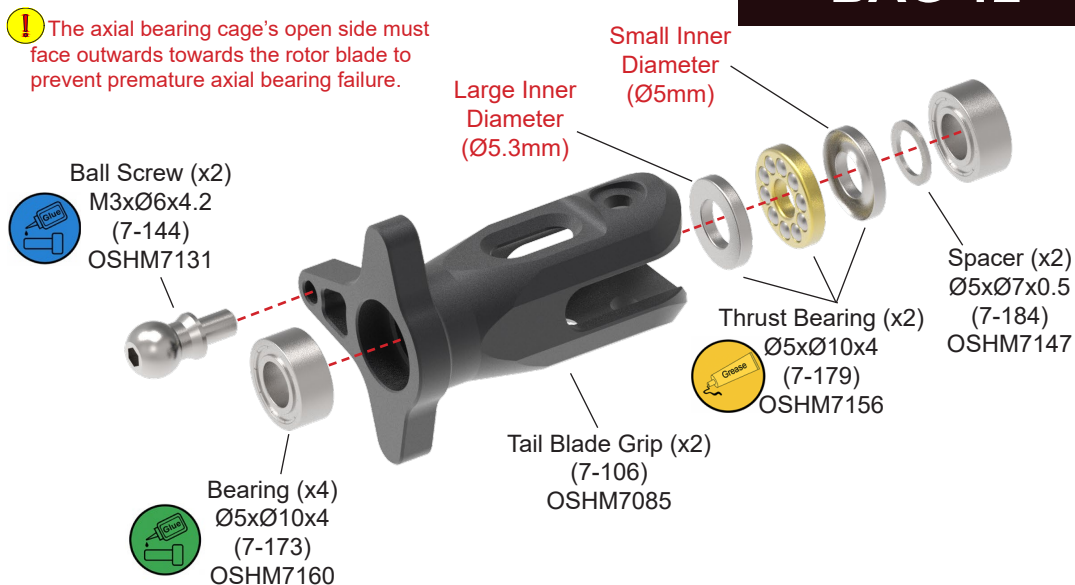


01 Tail Rotor Hub Assembly

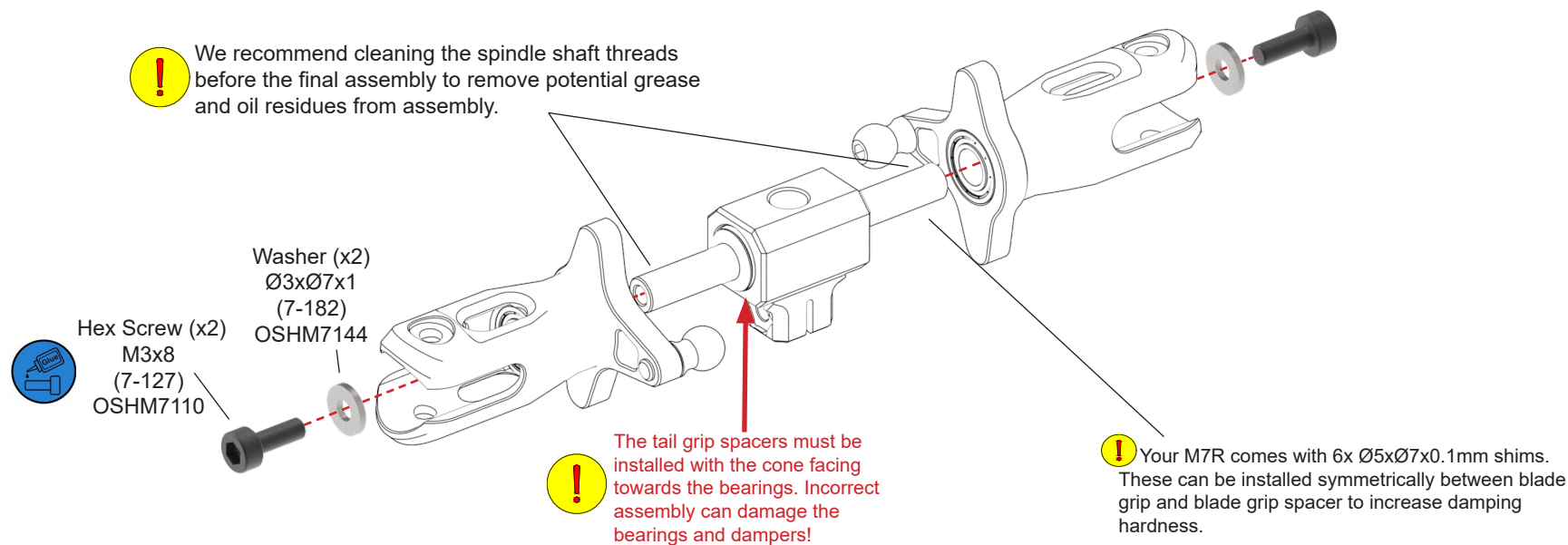


02 Tail Rotor Blade Grip Assembly

BAG 12

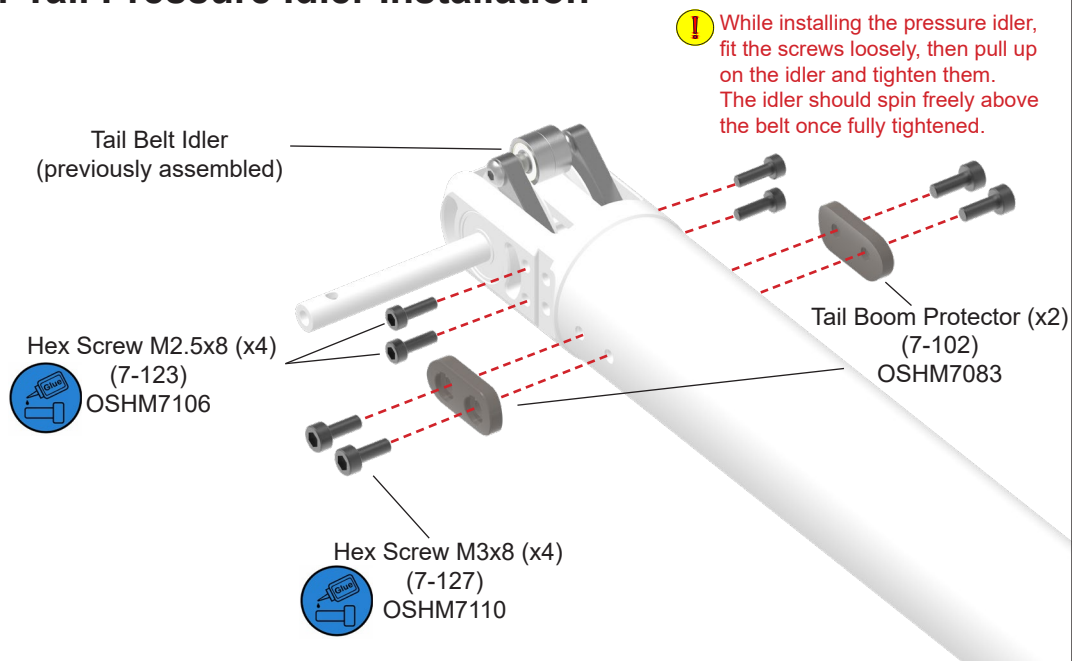


03 Tail Rotor Head Assembly

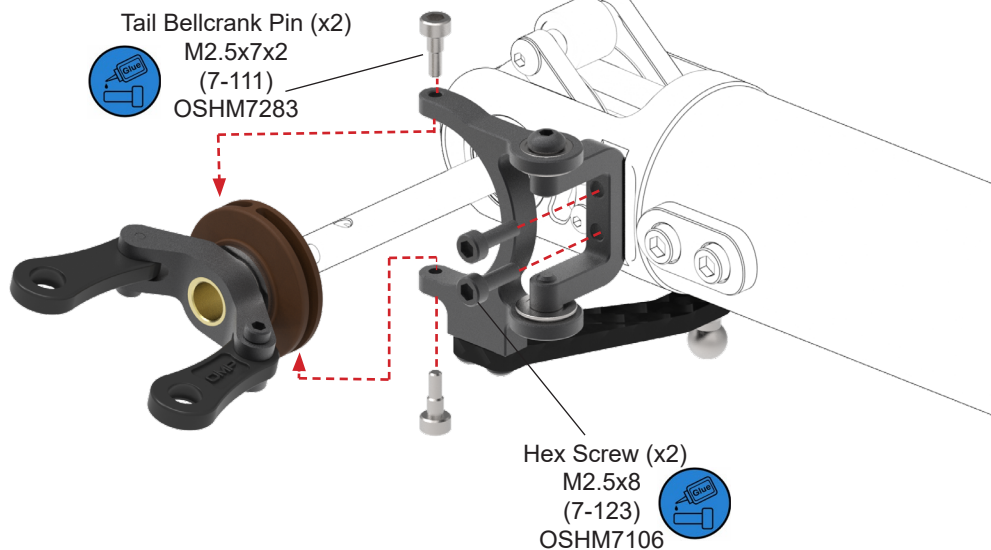


BAG 13

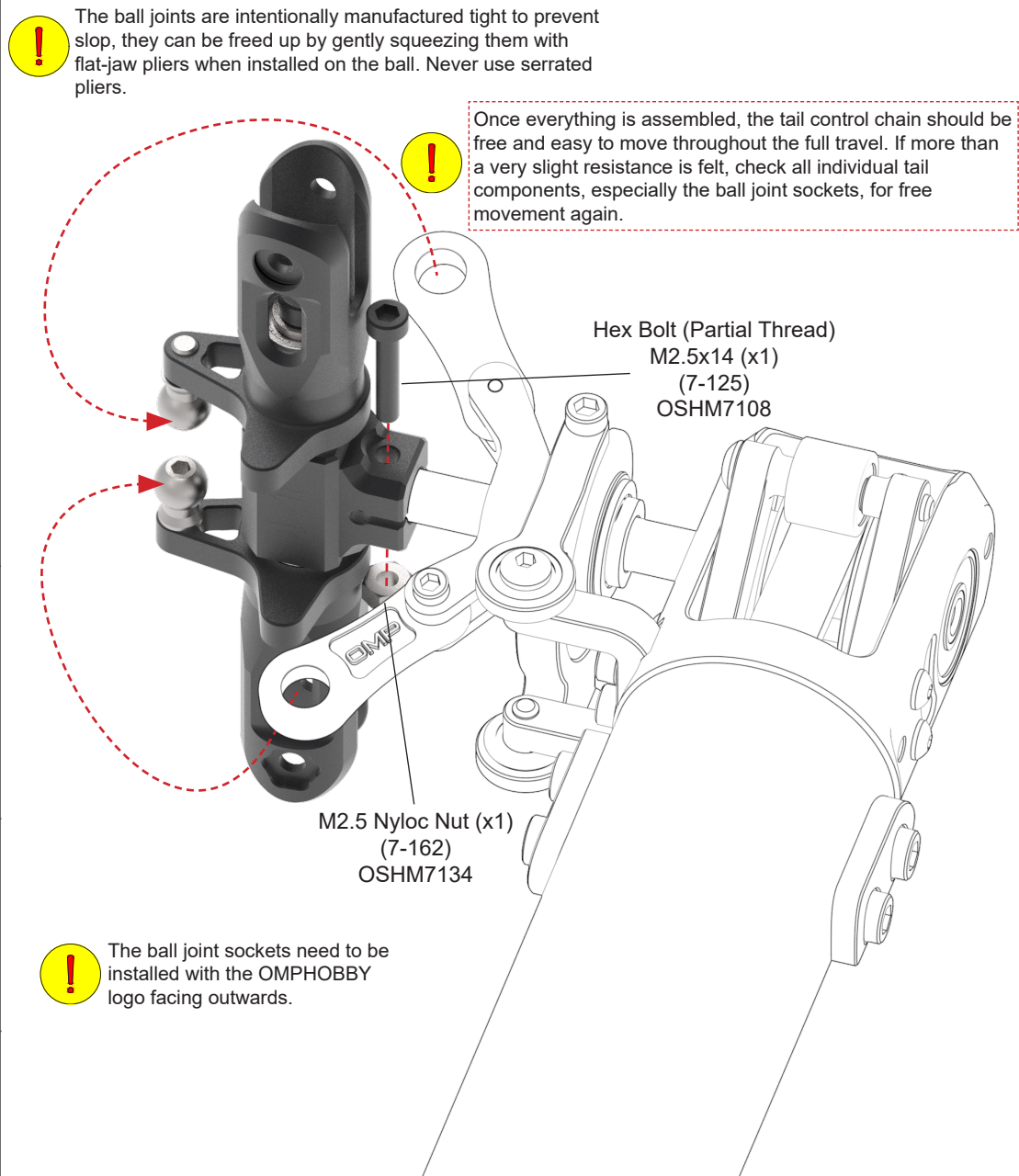
01 Tail Pressure Idler Installation



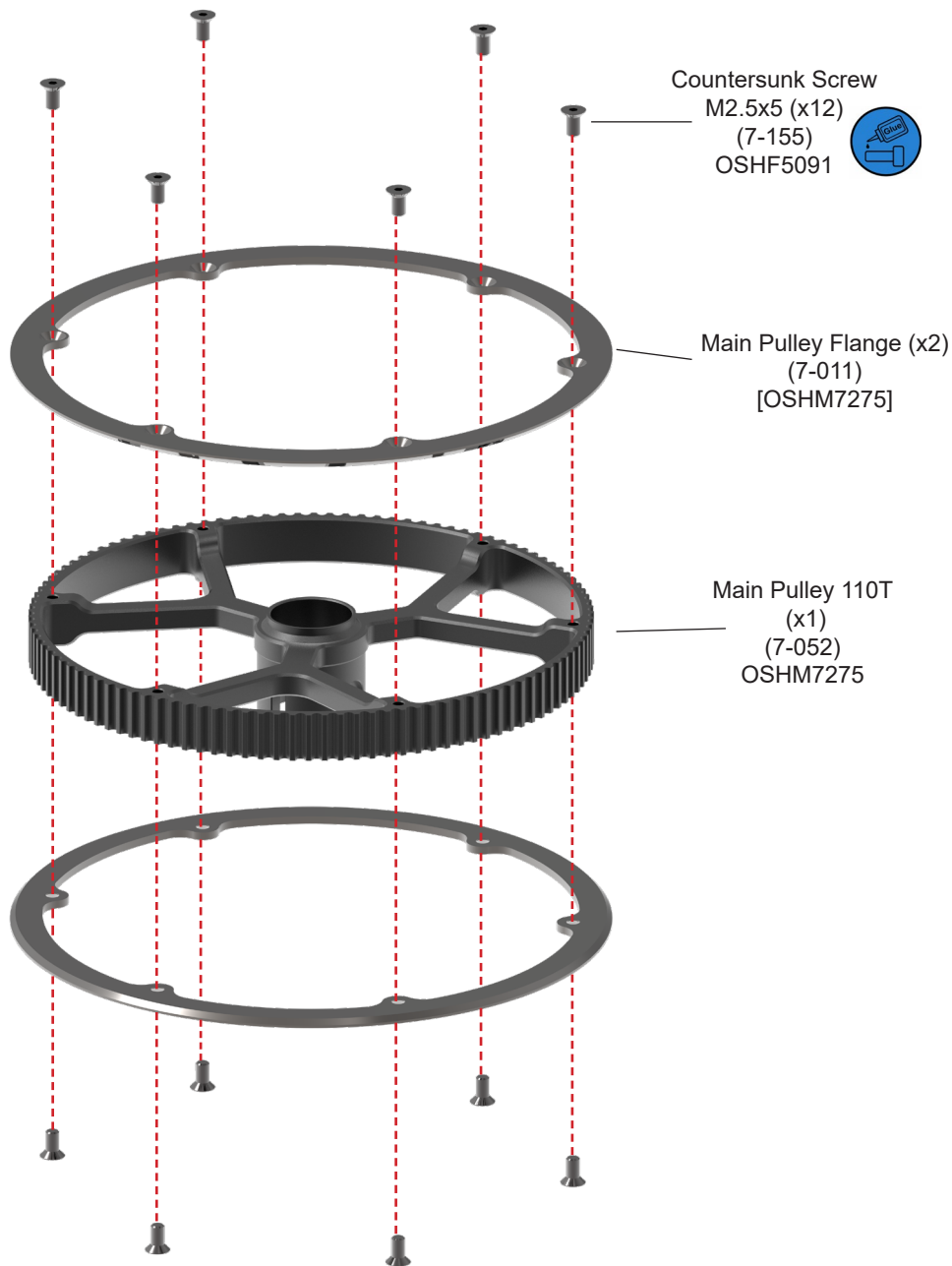
02 Tail Pitch Slider Installation



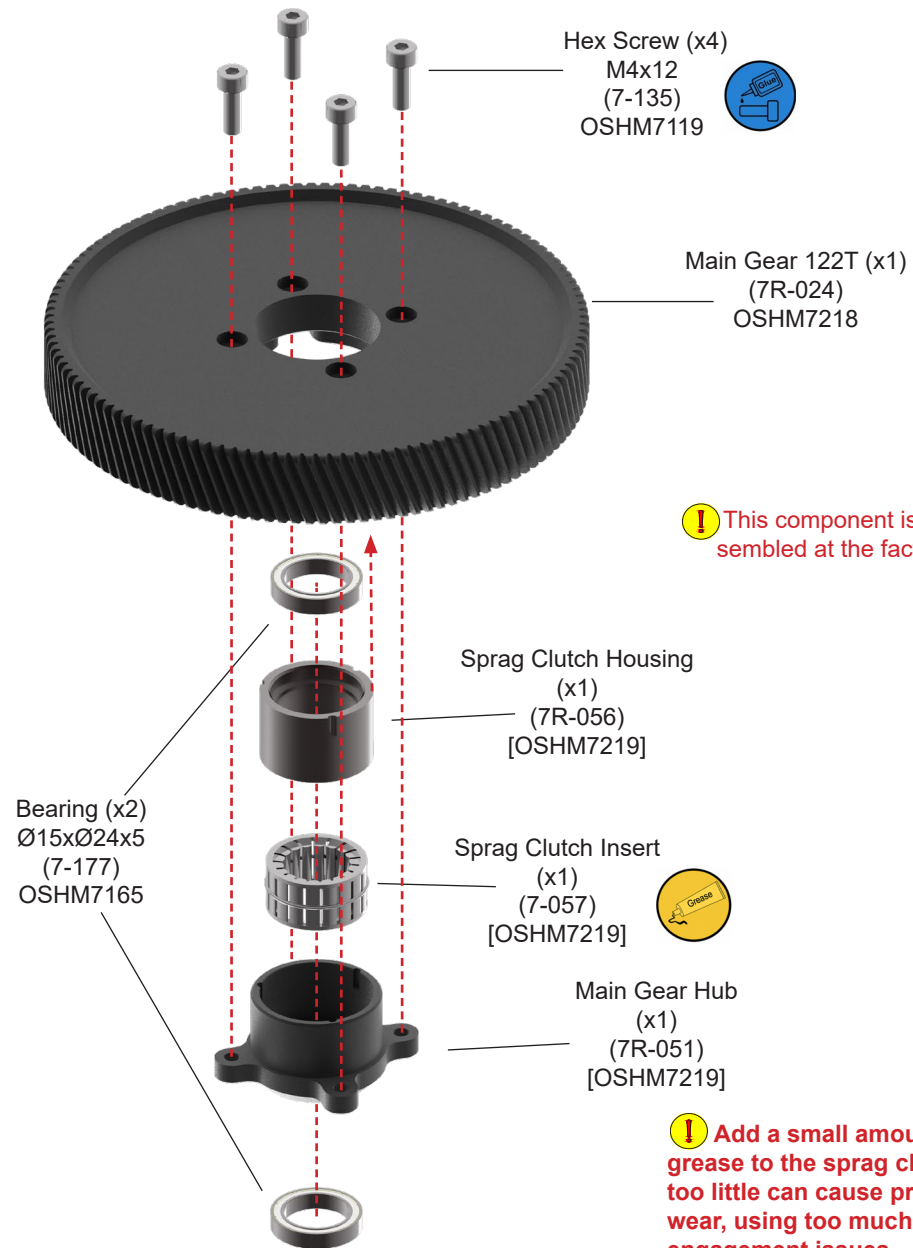
03 Tail Rotor Installation



01 Main Pulley Assembly



02 Main Gear Assembly

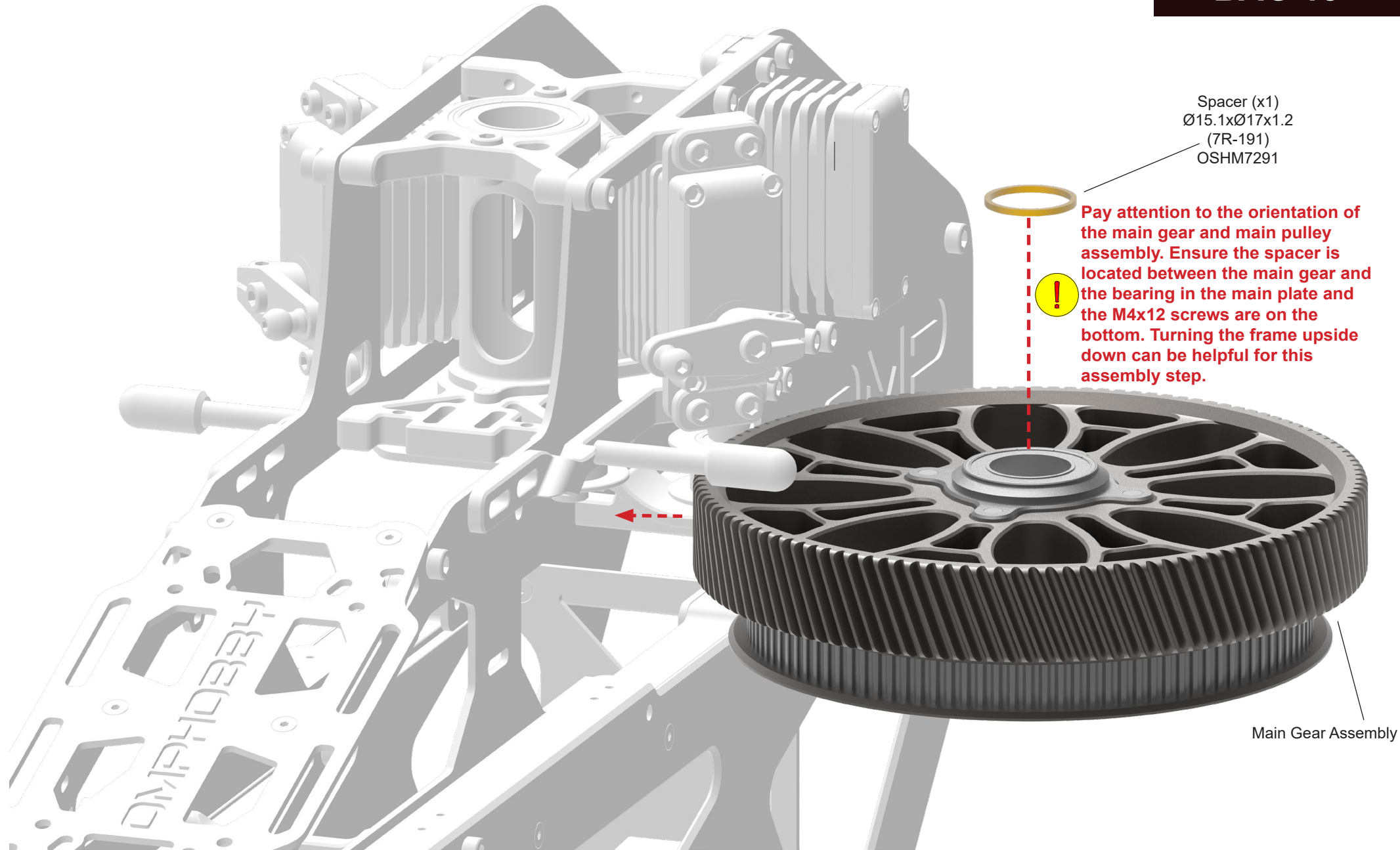


! This component is assembled at the factory

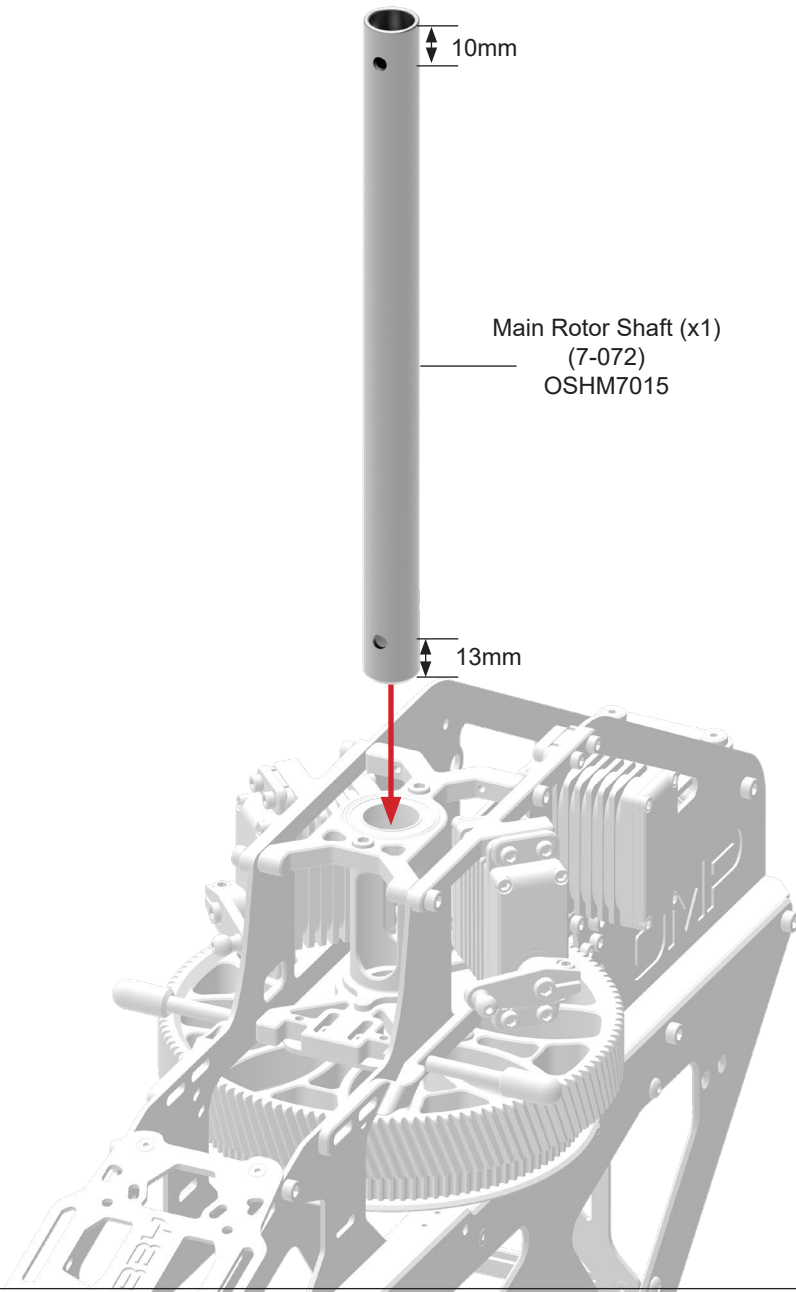
! Add a small amount of bearing grease to the sprag clutch. Using too little can cause premature sprag wear, using too much can cause engagement issues.

BAG 15

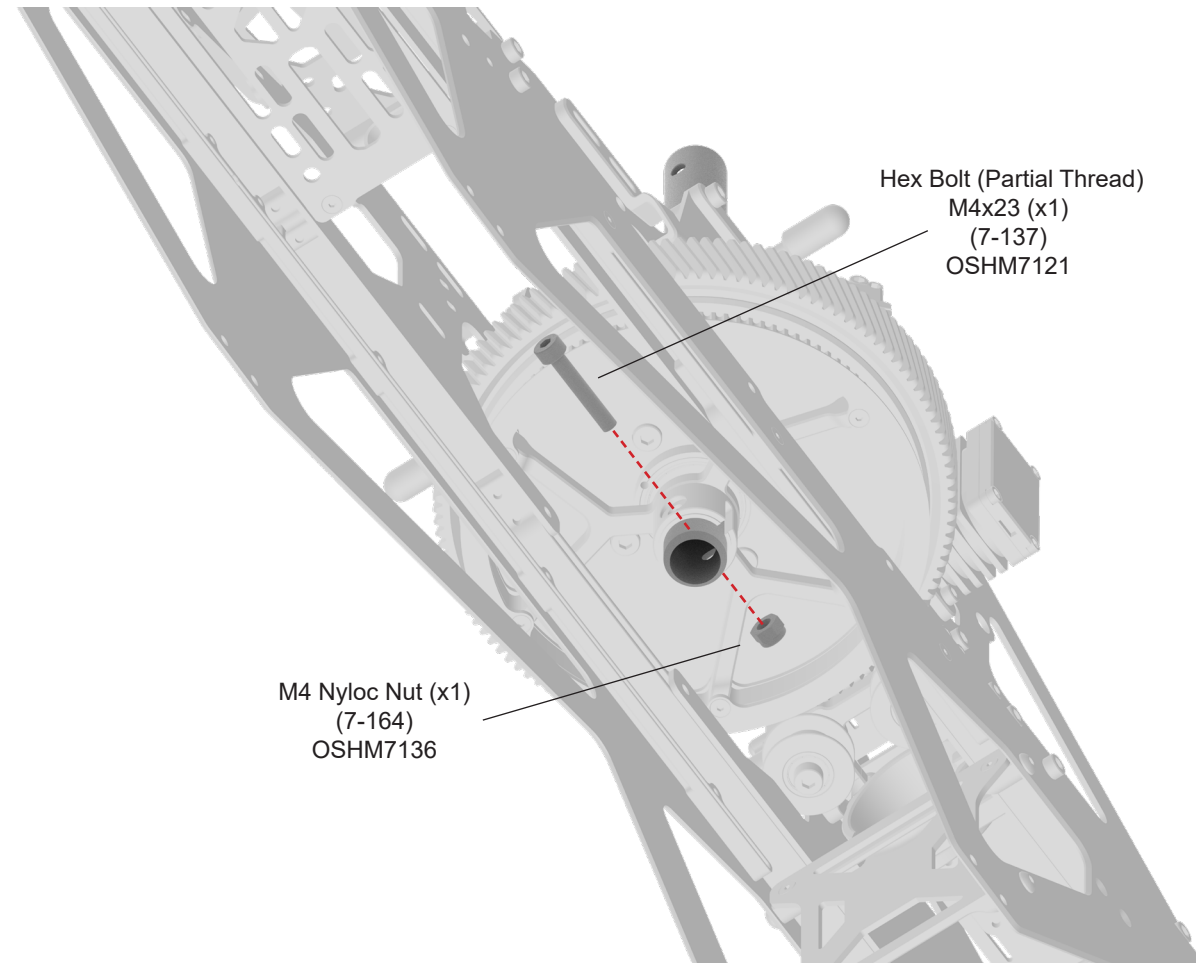
01 Pre-installation of the Main Gear



01 Main Rotor Shaft Installation



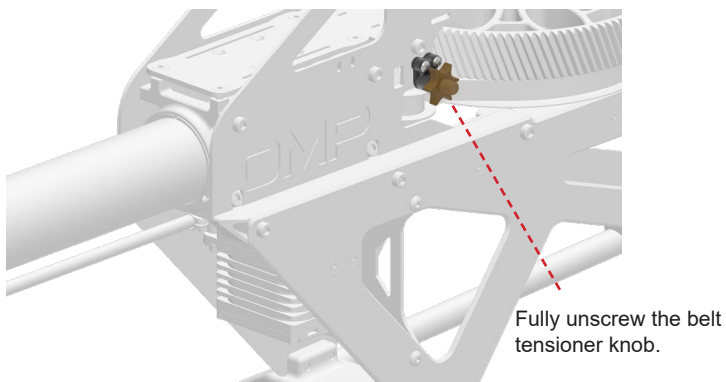
02 Lower Main Shaft Bolt Installation



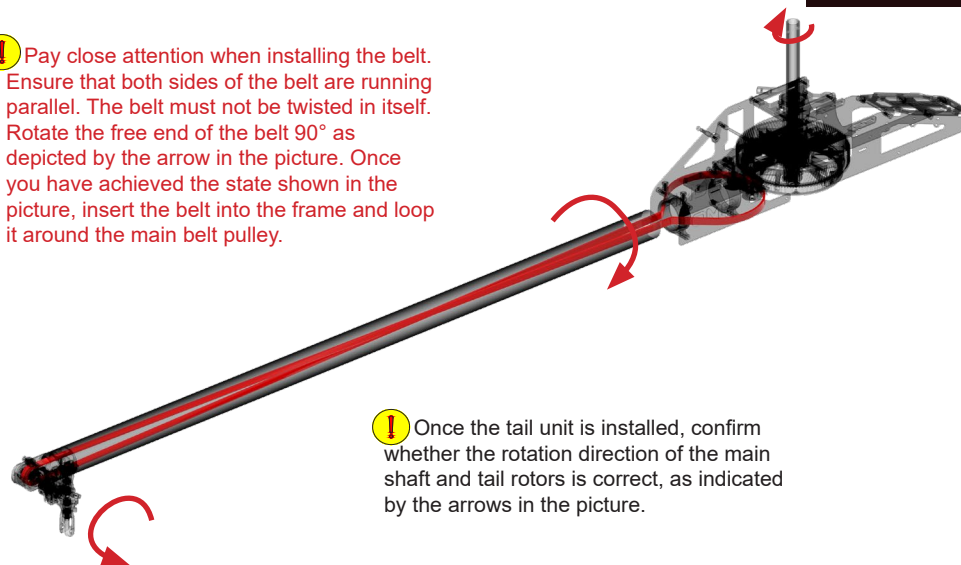
01 Attach the Tail Boom Assembly to the Frame

02 Belt Tensioning Procedure

Step 1

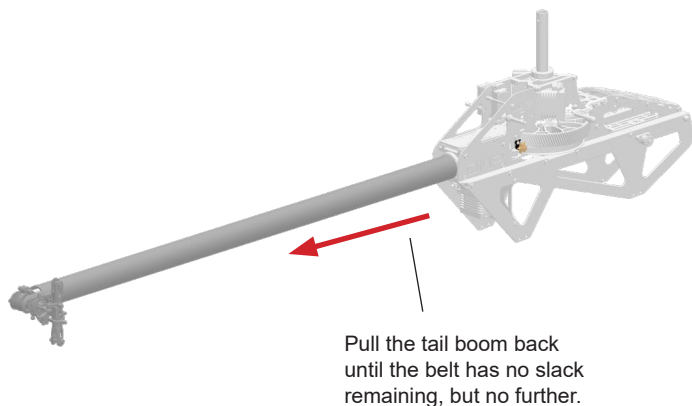


! Pay close attention when installing the belt. Ensure that both sides of the belt are running parallel. The belt must not be twisted in itself. Rotate the free end of the belt 90° as depicted by the arrow in the picture. Once you have achieved the state shown in the picture, insert the belt into the frame and loop it around the main belt pulley.

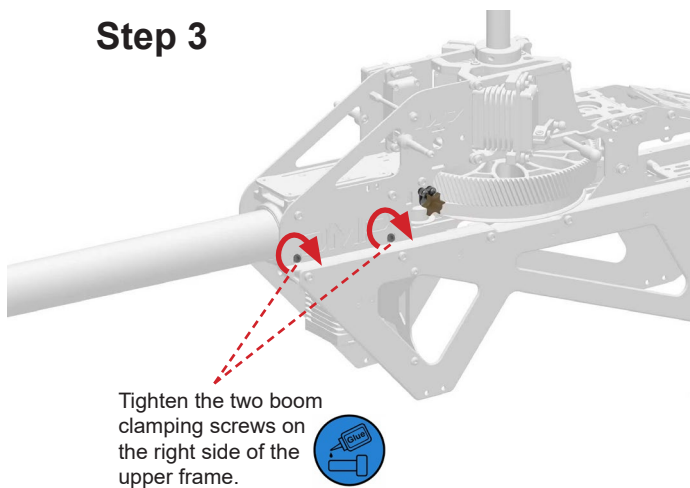


! Once the tail unit is installed, confirm whether the rotation direction of the main shaft and tail rotors is correct, as indicated by the arrows in the picture.

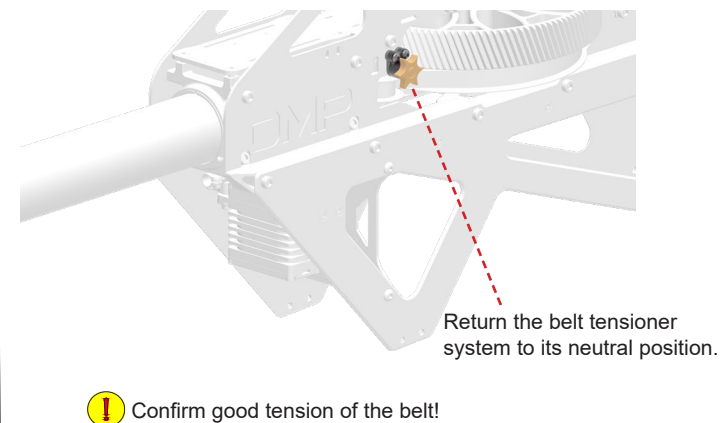
Step 2



Step 3



Step 4



01 Main Rotor Shaft Clamp Installation

Before tightening the main rotor shaft clamp, pull up the main rotor shaft and push down the rotor shaft clamp to eliminate play in the drivetrain assembly. The flange of the clamp ring must face downwards and contact the bearing.

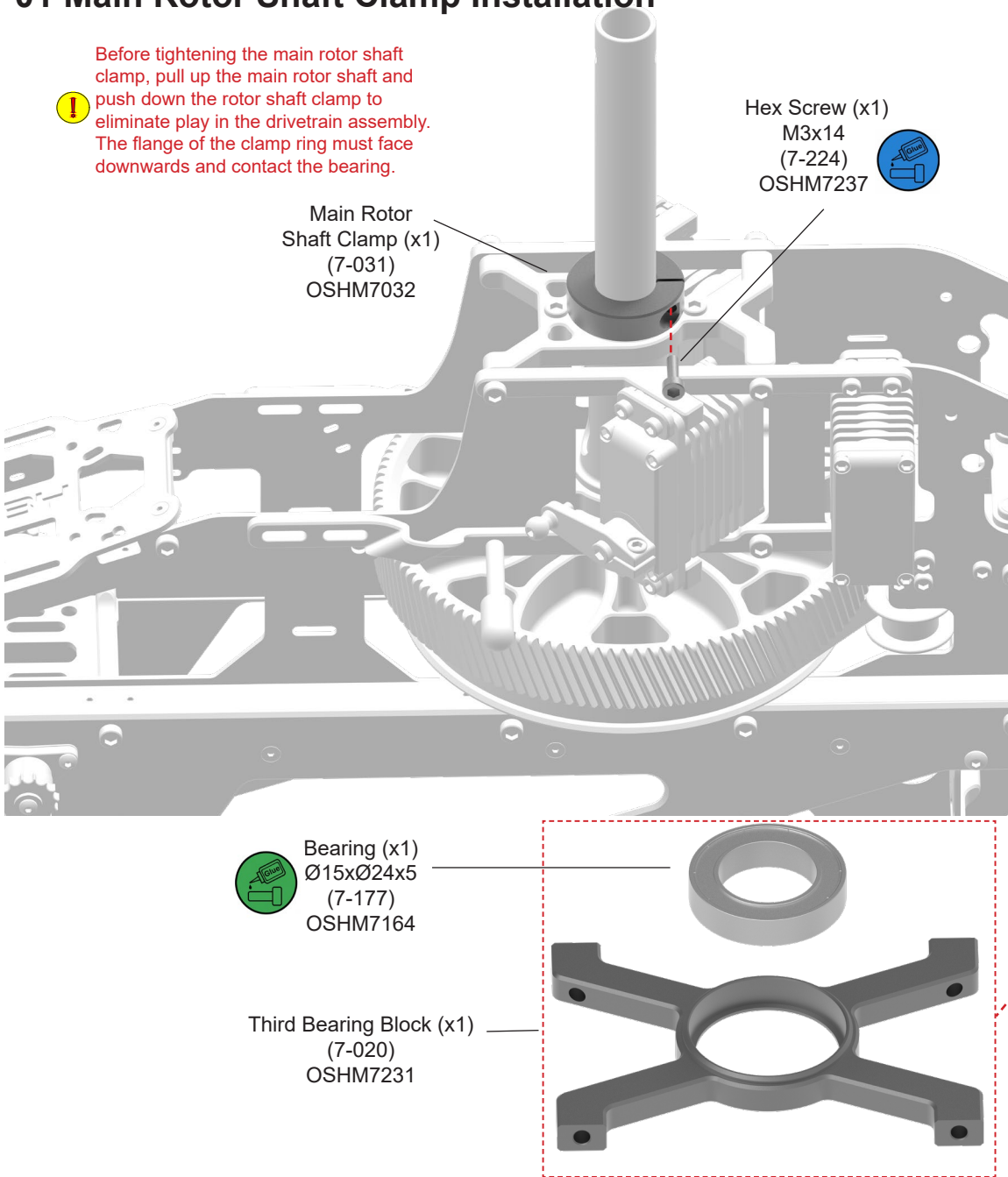


Main Rotor Shaft Clamp (x1)
(7-031)
OSHM7032

Hex Screw (x1)
M3x14
(7-224)
OSHM7237

Bearing (x1)
Ø15xØ24x5
(7-177)
OSHM7164

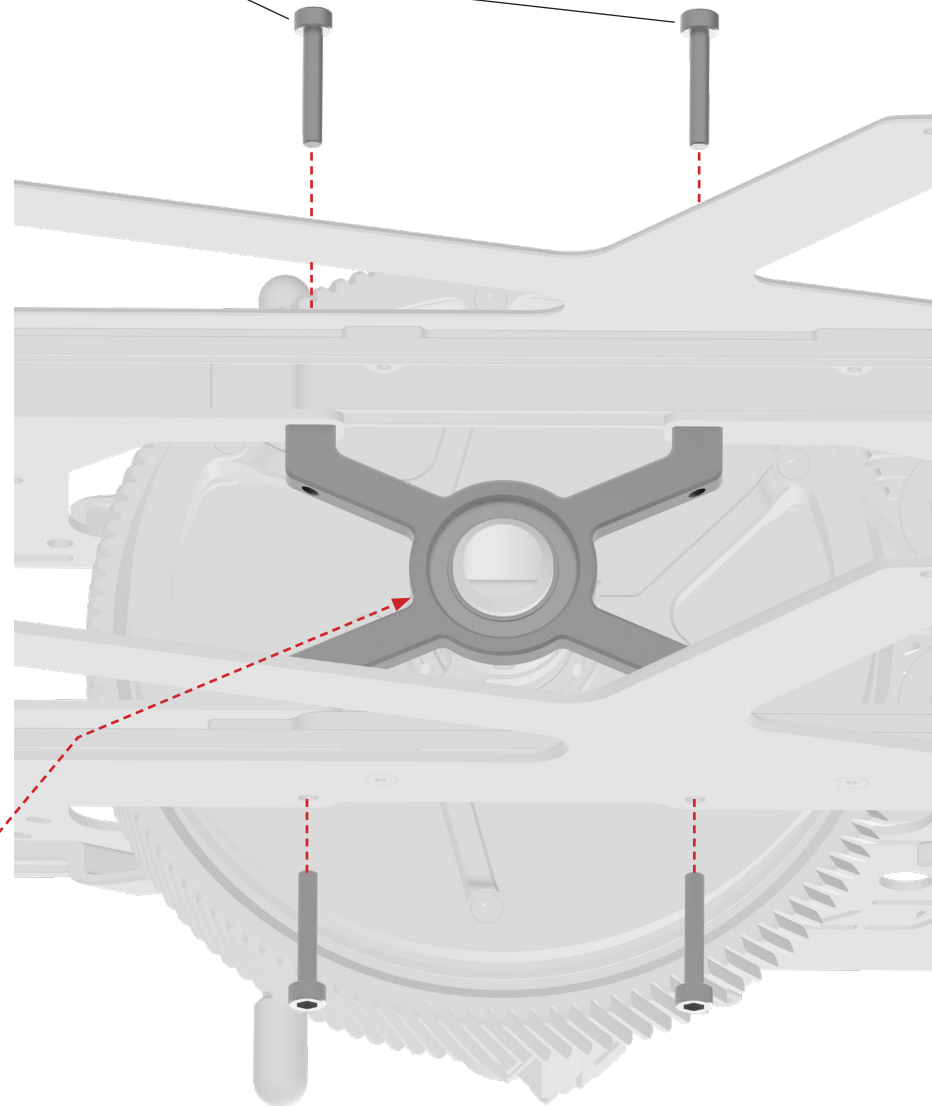
Third Bearing Block (x1)
(7-020)
OSHM7231



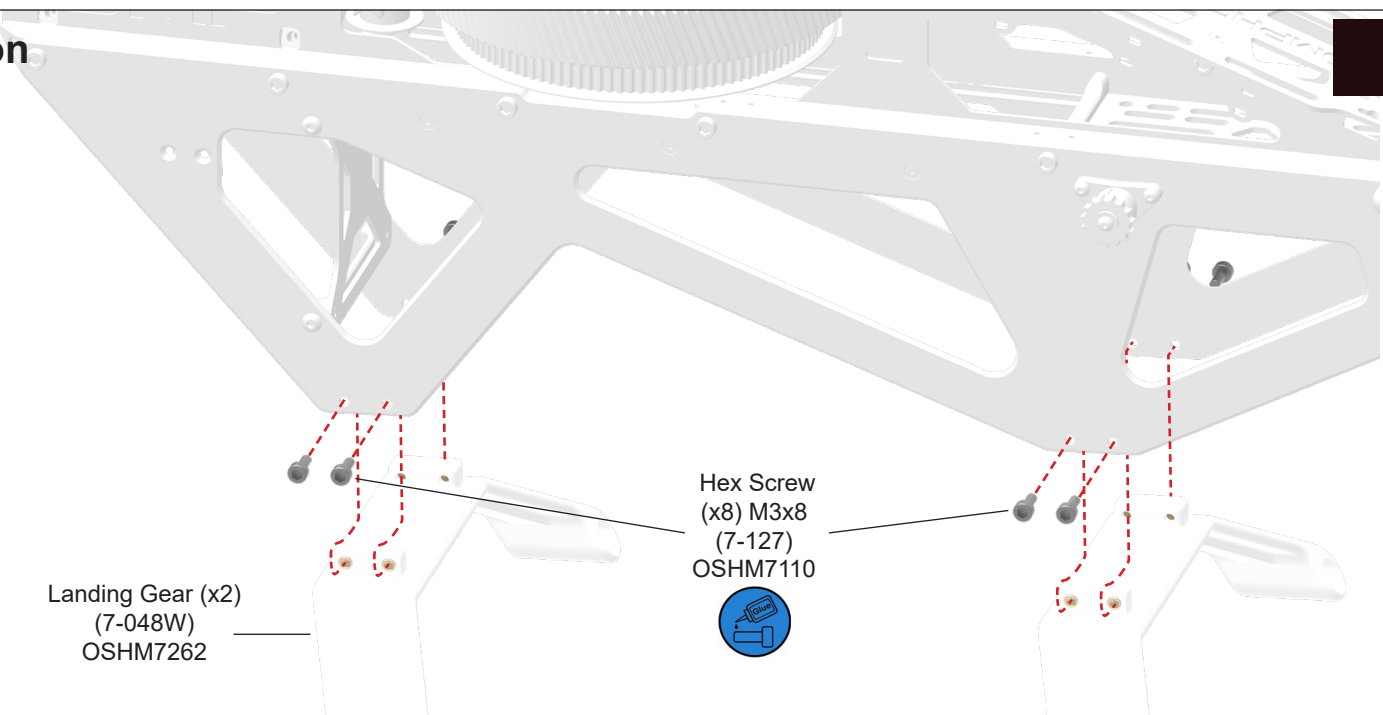
02 3rd Main Shaft Bearing Block

BAG 18

Hex Screw (Partial Thread)
M3x18 (x4)
(7-130)
OSHM7113



01 Landing Gear Installation

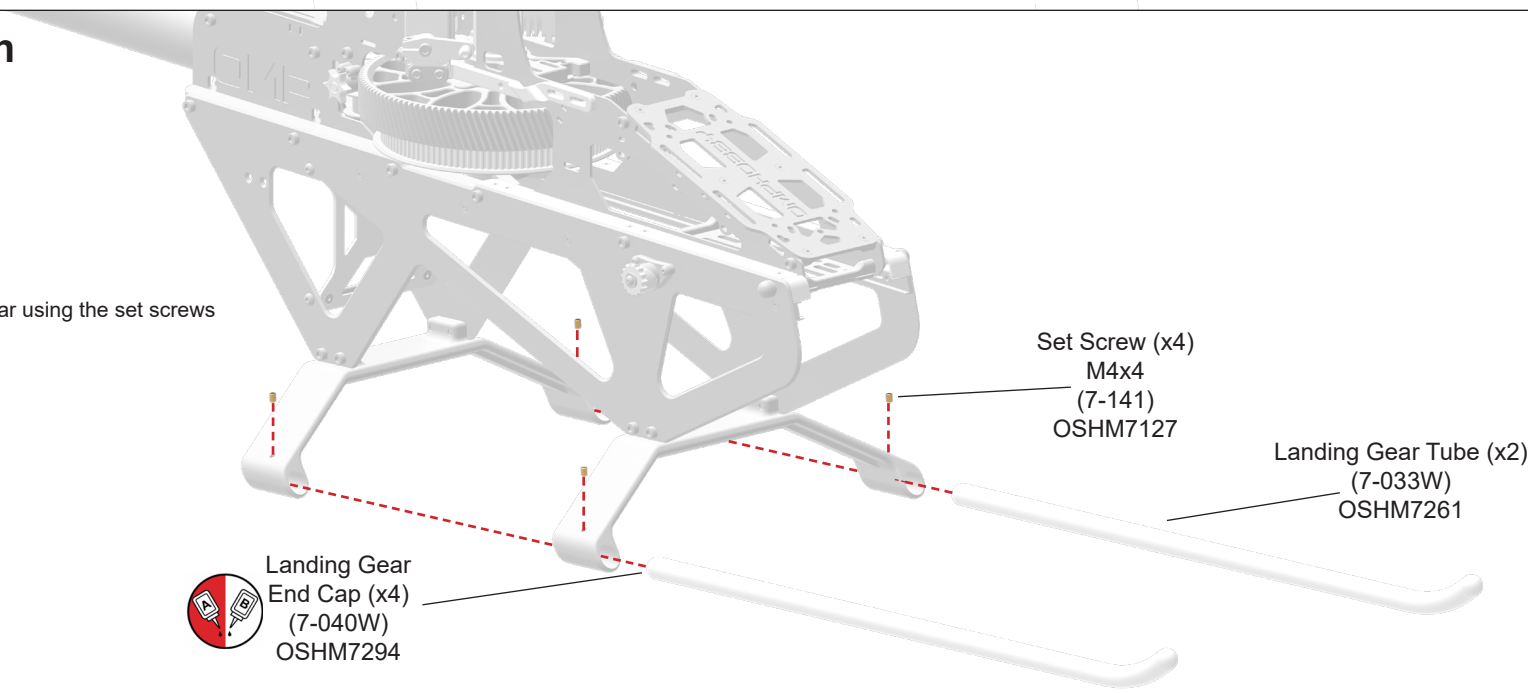


Landing Gear (x2)
(7-048W)
OSHM7262

Hex Screw
(x8) M3x8
(7-127)
OSHM7110



02 Landing Gear Installation



Set Screw (x4)
M4x4
(7-141)
OSHM7127

Landing Gear Tube (x2)
(7-033W)
OSHM7261

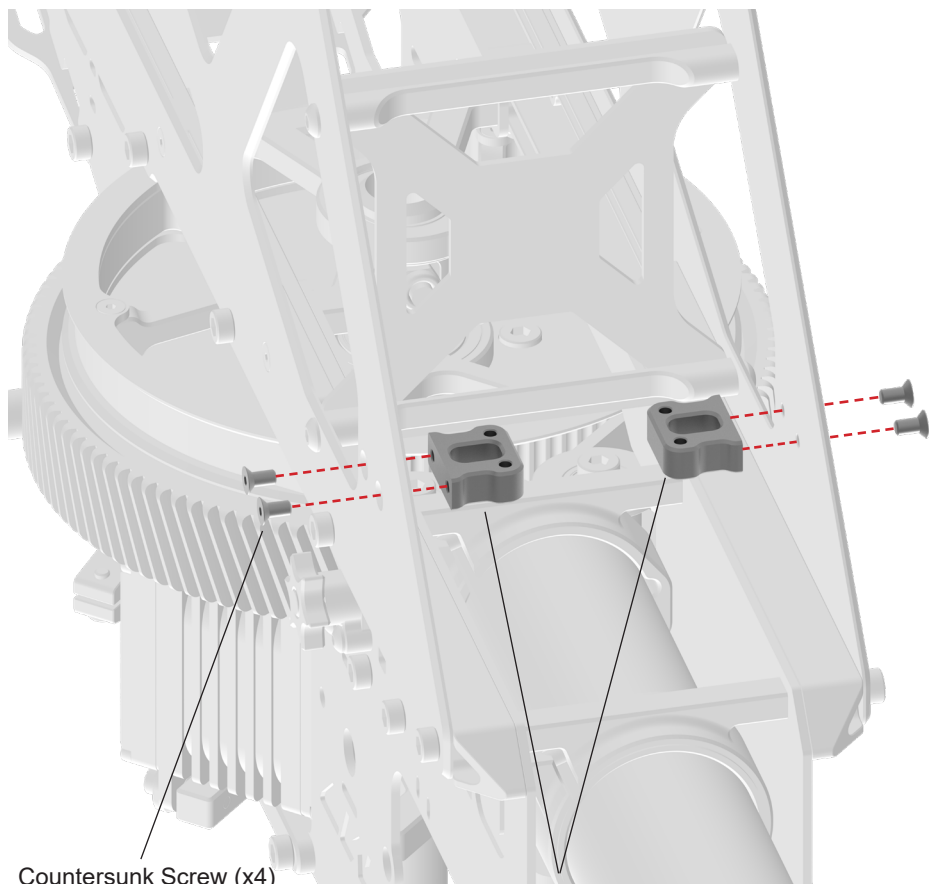
Landing Gear
End Cap (x4)
(7-040W)
OSHM7294



It can be helpful to pre-tap the landing gear using the set screws before installing the landing gear tube.

BAG 20

01 Tail Rotor Servo Mount Installation



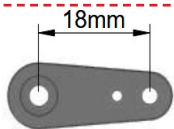
Countersunk Screw (x4)
M2.5x5
(7-155)
OSHF5091

Tail Servo
Mounting Block (x2)
(7R-030)
OSHM7235

⚠ After finding the neutral position with your flight controller, assemble the tail rotor servo. The angle of the arm relative to the servo body should be 180°

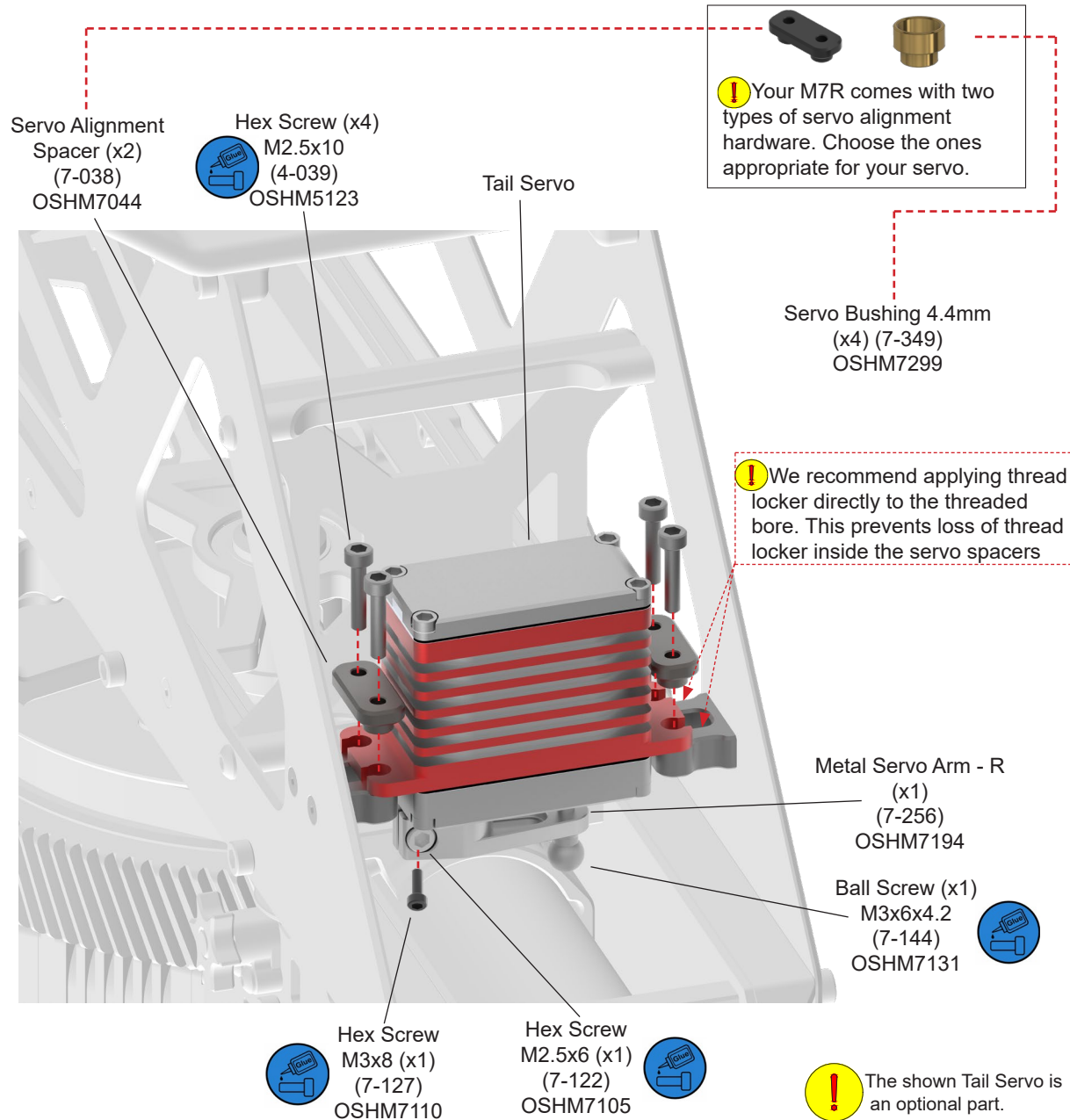


Tail Rotor Servo
Ch4 (x1)



18mm

02 Tail Rotor Servo Installation



Servo Alignment
Spacer (x2)
(7-038)
OSHM7044

Hex Screw (x4)
M2.5x10
(4-039)
OSHM5123

Tail Servo

⚠ Your M7R comes with two types of servo alignment hardware. Choose the ones appropriate for your servo.

Servo Bushing 4.4mm
(x4) (7-349)
OSHM7299

⚠ We recommend applying thread locker directly to the threaded bore. This prevents loss of thread locker inside the servo spacers

Metal Servo Arm - R
(x1)
(7-256)
OSHM7194

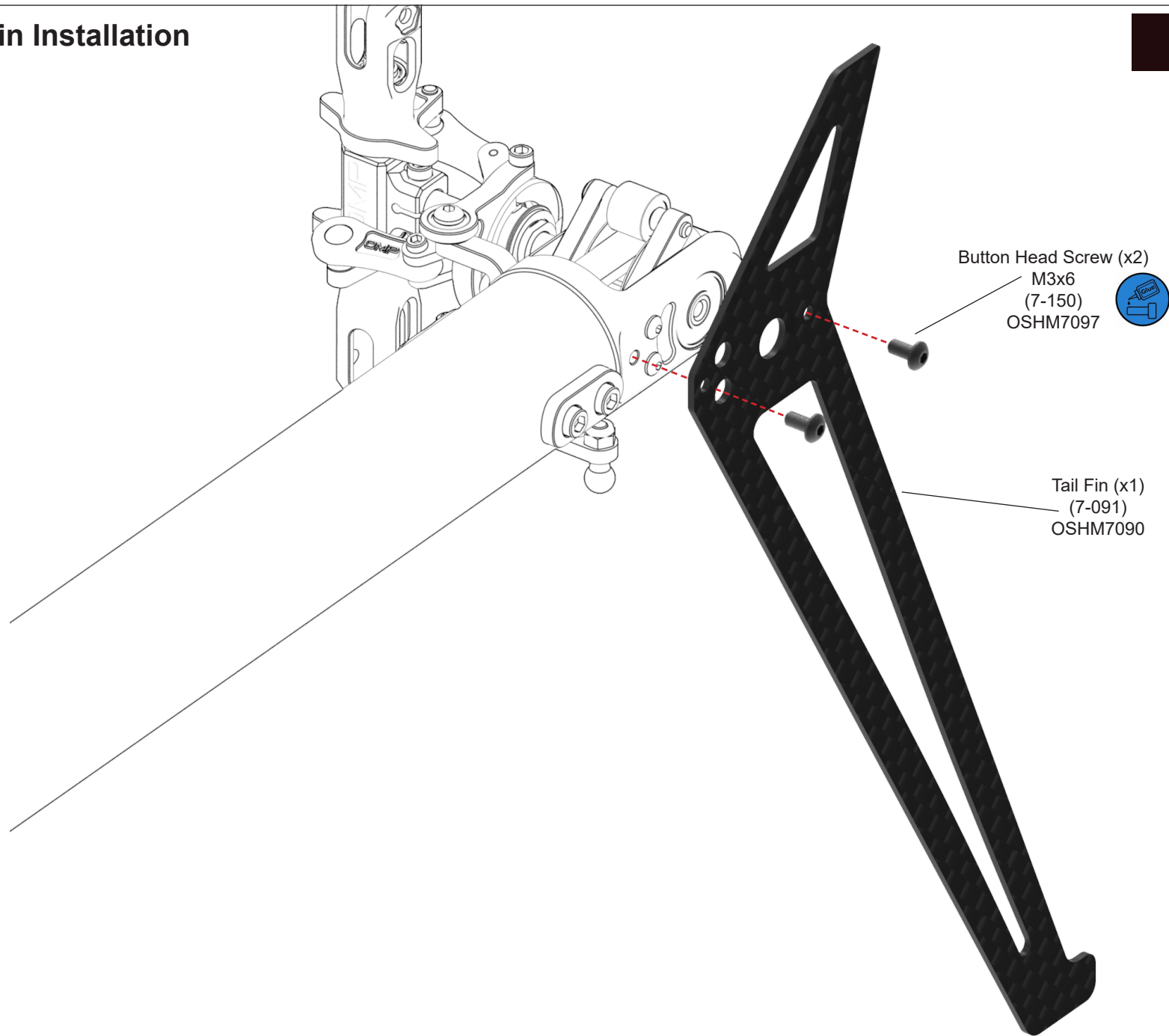
Ball Screw (x1)
M3x6x4.2
(7-144)
OSHM7131

Hex Screw
M3x8 (x1)
(7-127)
OSHM7110

Hex Screw
M2.5x6 (x1)
(7-122)
OSHM7105

⚠ The shown Tail Servo is an optional part.

01 Vertical Tail Fin Installation

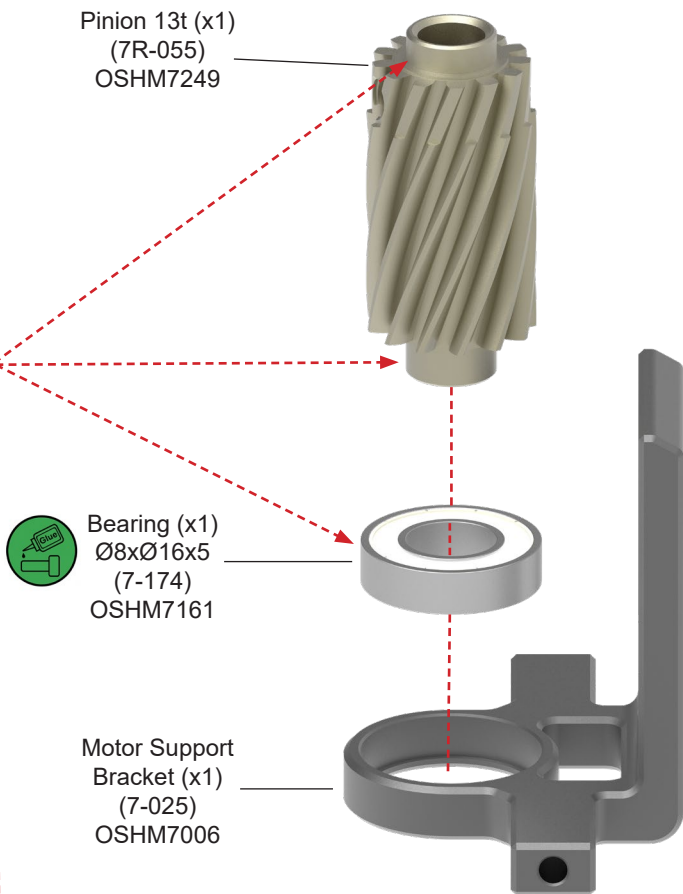


01 Counterbearing Assembly

Pinion 13t (x1)
(7R-055)
OSHM7249

Bearing (x1)
Ø8xØ16x5
(7-174)
OSHM7161

Motor Support
Bracket (x1)
(7-025)
OSHM7006



! We highly recommend cleaning the marked pinion parts, inner and outer bearing races and bearing seat of the motor support bracket, and to apply a very small amount of high strength LOCTITE® (e.g. 638) to prevent wear in these areas.

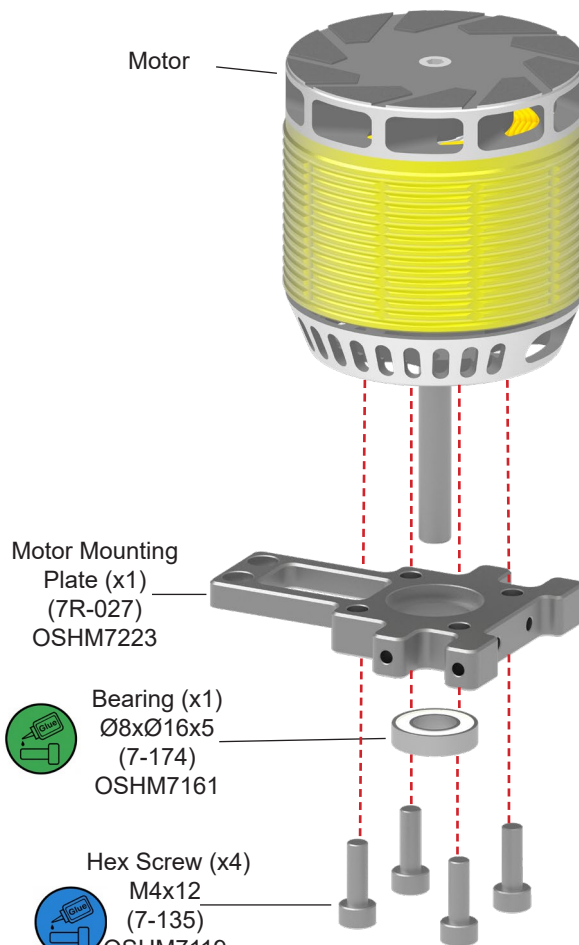
02 Motor Installation

Motor

Motor Mounting
Plate (x1)
(7R-027)
OSHM7223

Bearing (x1)
Ø8xØ16x5
(7-174)
OSHM7161

Hex Screw (x4)
M4x12
(7-135)
OSHM7119



! The shown Motor is an optional part.

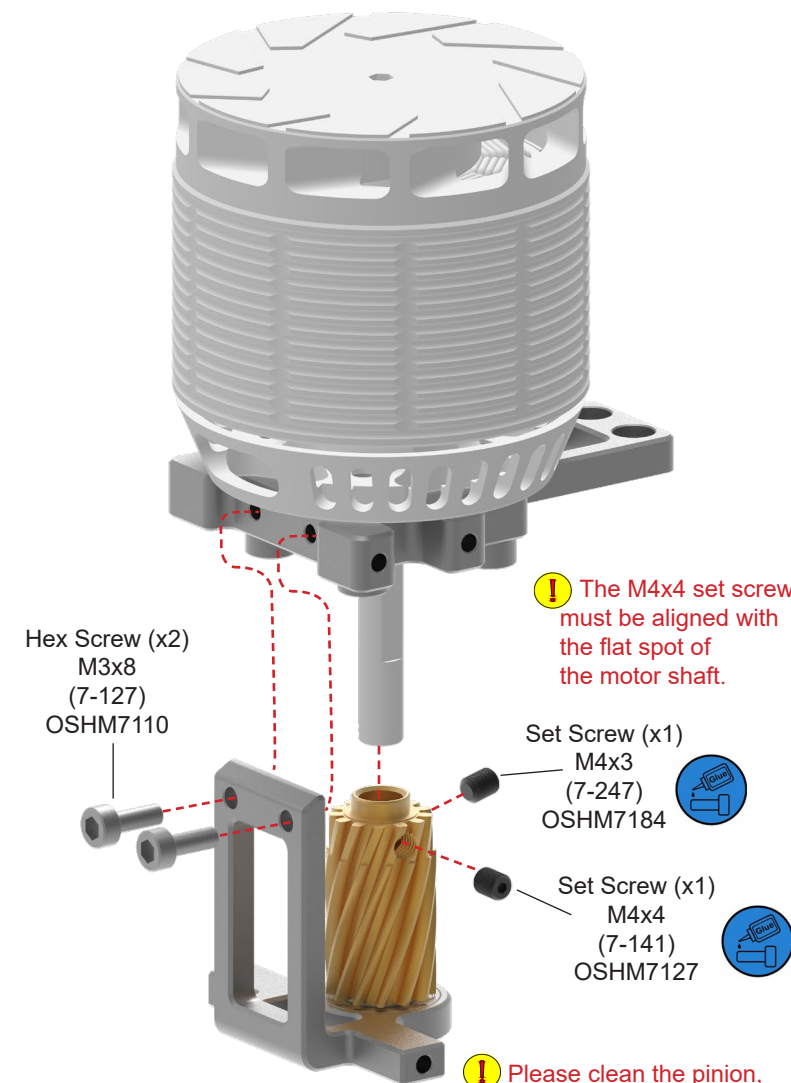
03 Motor Mount Assembly

Hex Screw (x2)
M3x8
(7-127)
OSHM7110

! The M4x4 set screw must be aligned with the flat spot of the motor shaft.

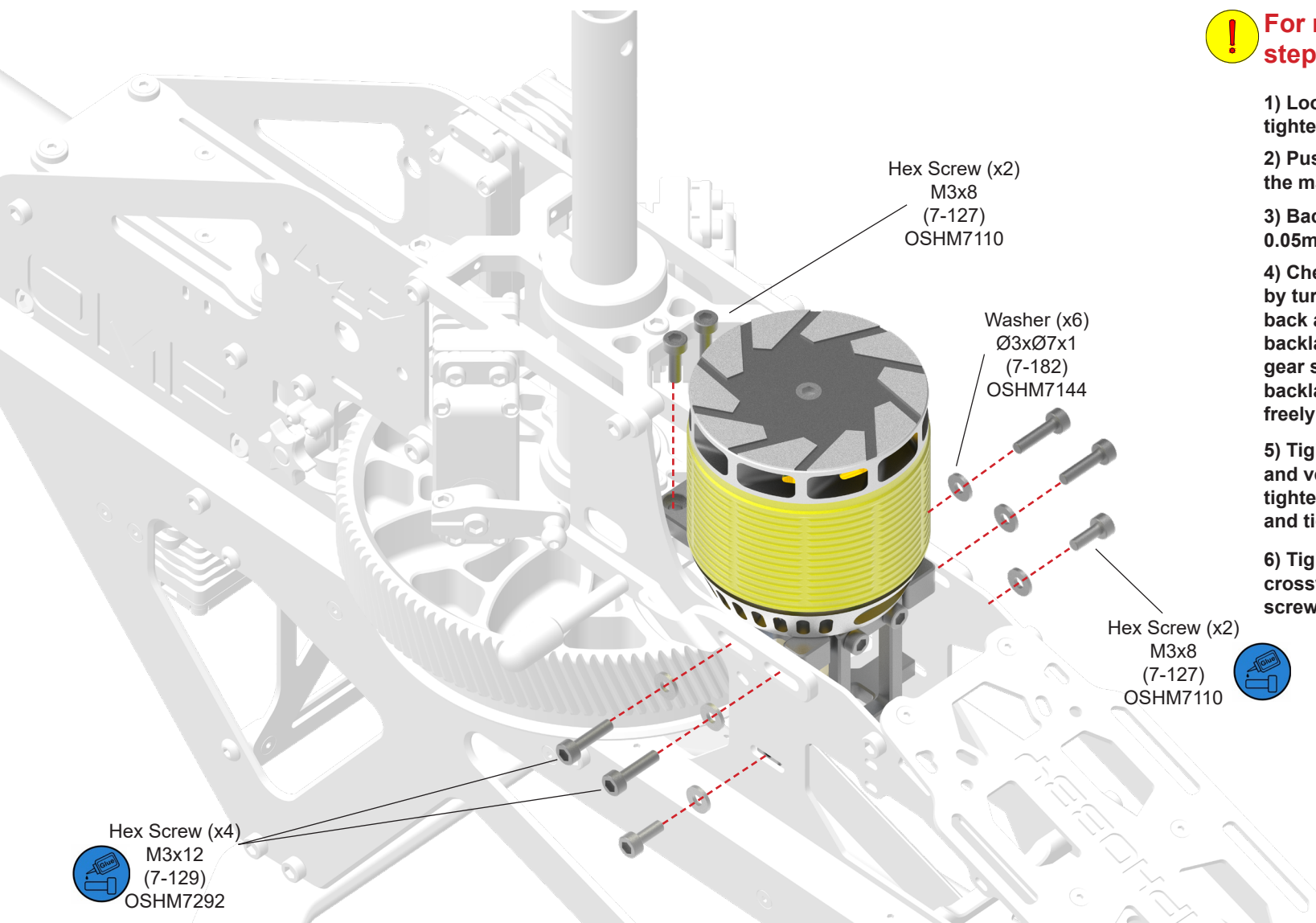
Set Screw (x1)
M4x3
(7-247)
OSHM7184

Set Screw (x1)
M4x4
(7-141)
OSHM7127



! Please clean the pinion, set screws and pinion threads with isopropyl alcohol before assembly.

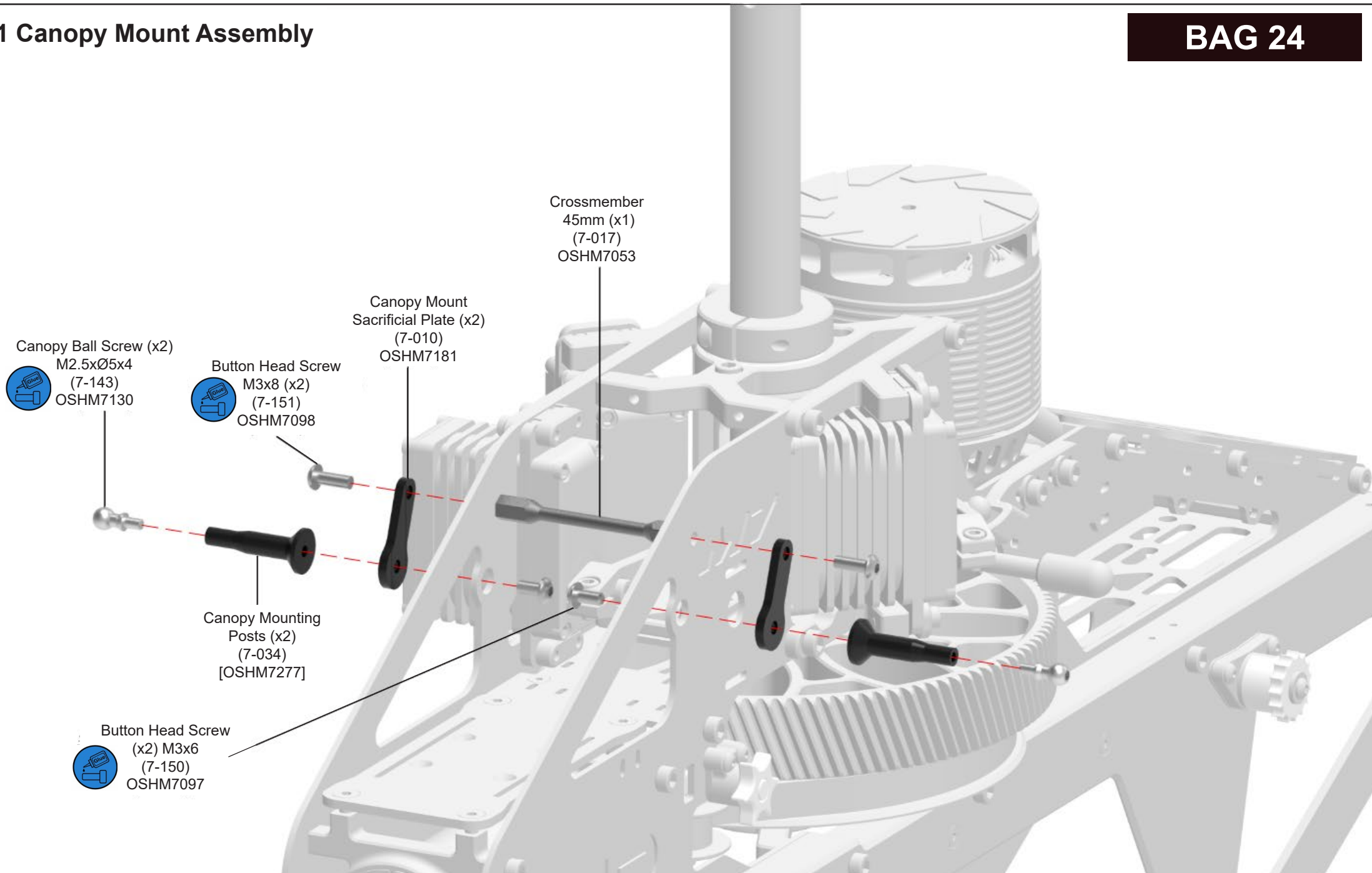
01 Motor Mount Installation and Clamping



! For mounting the motor, follow these steps:

- 1) Loosely engage all screws in their threads, do not tighten them yet.
- 2) Push motor and pinion all the way backward against the main gear.
- 3) Back the motor off slightly so that the main gear has 0.05mm ~ 0.1mm backlash.
- 4) Check the backlash in 8 points around the rotation by turning the gear 45° at a time and gently wiggling it back and forth. In the loosest spots, you should feel the backlash when moving the gear back and forth, but the gear should not visibly move. In the tightest spots, zero backlash is acceptable, as long as the gear train rotates freely and sounds smooth.
- 5) Tighten the M3x8 screws behind the motor first and verify that the mesh hasn't changed once fully tightened. If it changed, loosen them again, adjust and tighten them again.
- 6) Tighten all remaining motor carrier screws in a crosswise pattern, starting at the top with the M3x12 screws, and ending with the M3x8 screws at the bottom.

01 Canopy Mount Assembly



Crossmember
45mm (x1)
(7-017)
OSHM7053

Canopy Mount
Sacrificial Plate (x2)
(7-010)
OSHM7181

Canopy Ball Screw (x2)
M2.5xØ5x4
(7-143)
OSHM7130

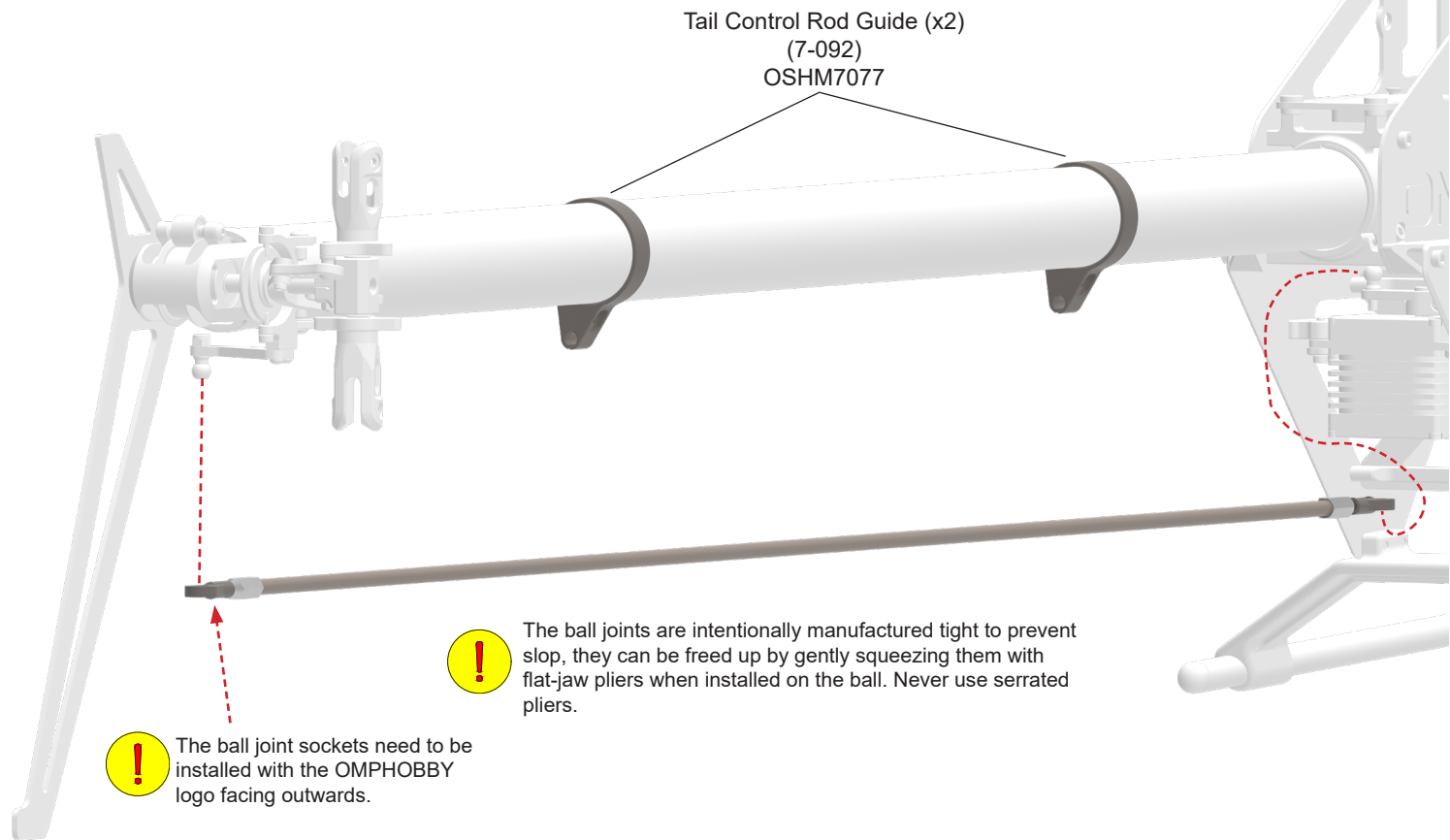
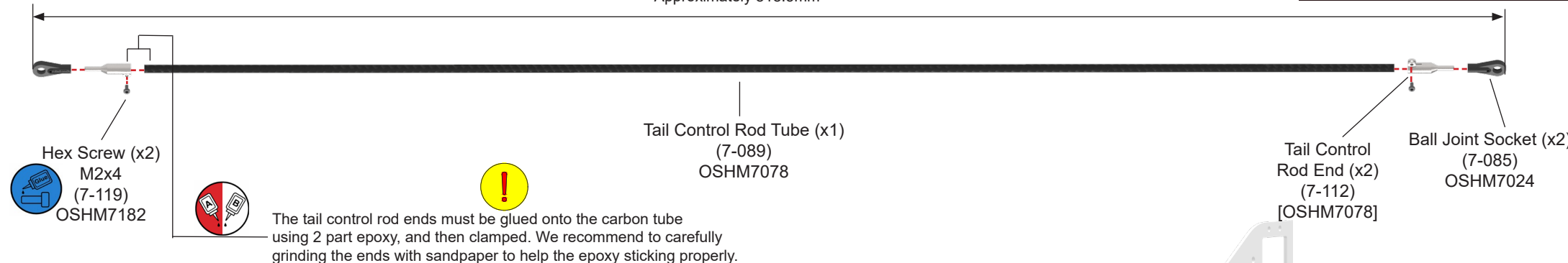
Button Head Screw
M3x8 (x2)
(7-151)
OSHM7098

Canopy Mounting
Posts (x2)
(7-034)
[OSHM7277]

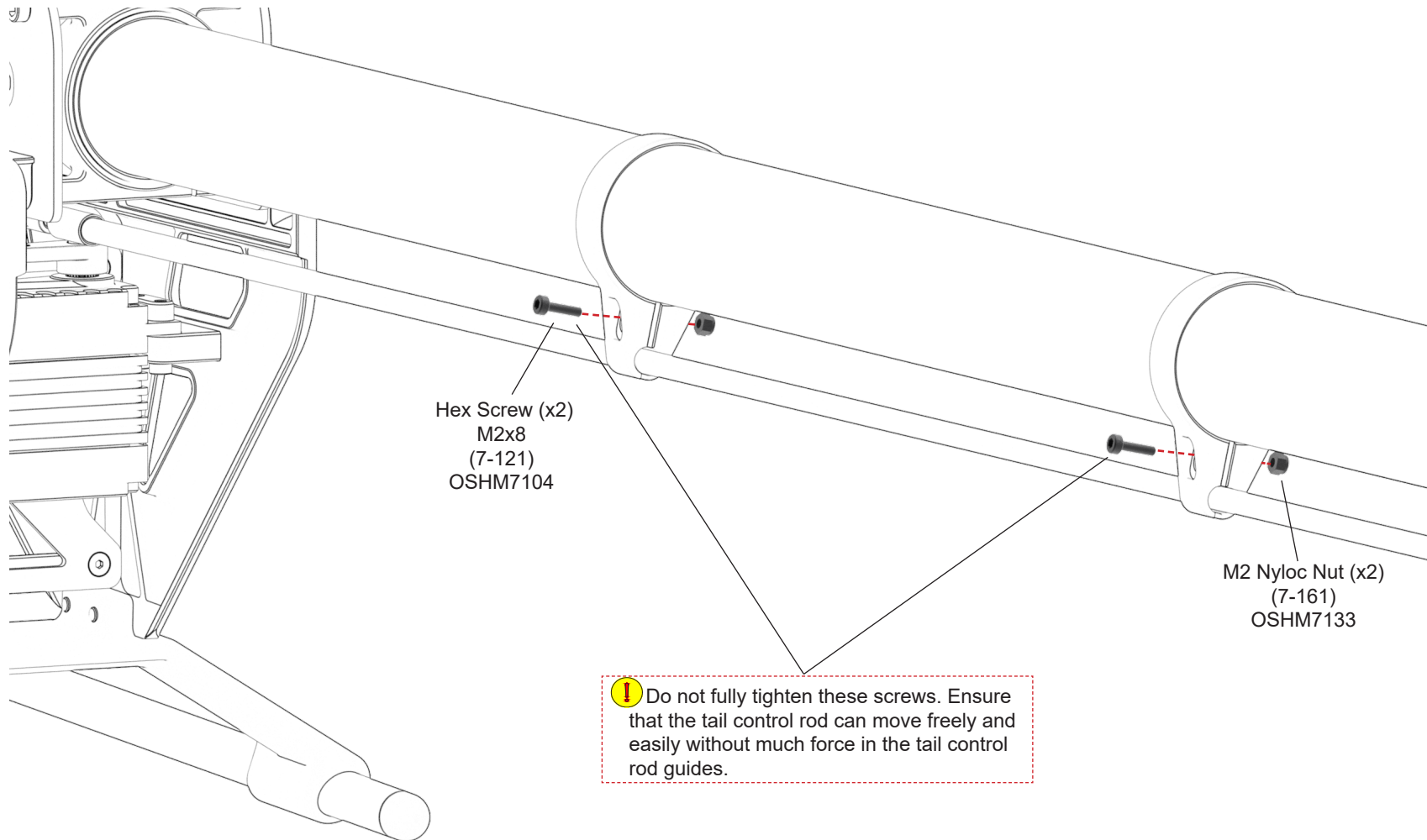
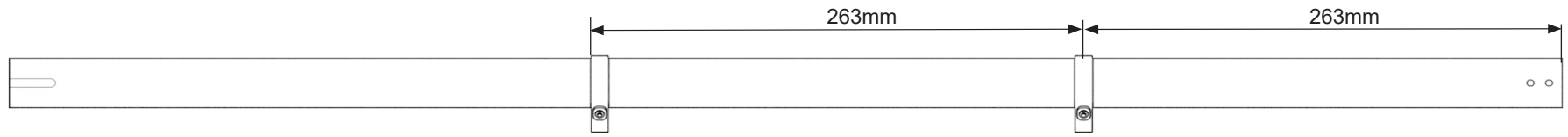
Button Head Screw
(x2) M3x6
(7-150)
OSHM7097

01 Tail Control Rod Assembly

Approximately 818.5mm

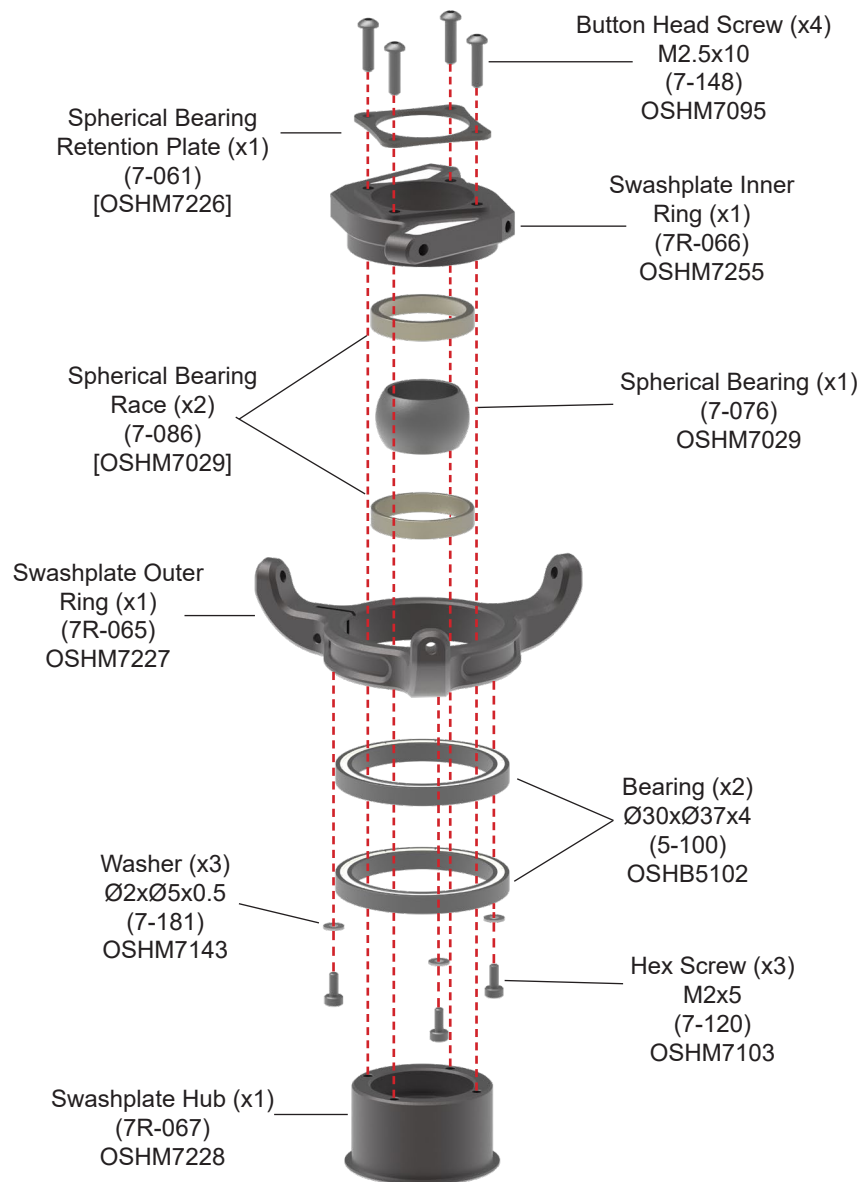


01 Tail Control Rod Guides Installation and Alignment



! Do not fully tighten these screws. Ensure that the tail control rod can move freely and easily without much force in the tail control rod guides.

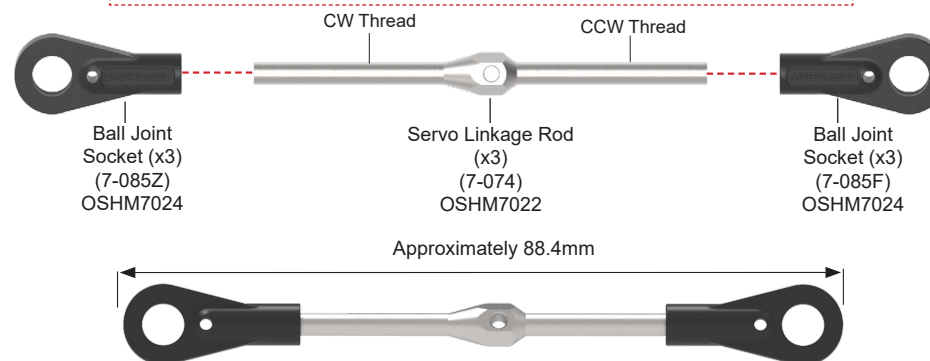
01 Swashplate Assembly



! The swashplate is preassembled with threadlocker except for the ball joint screws.

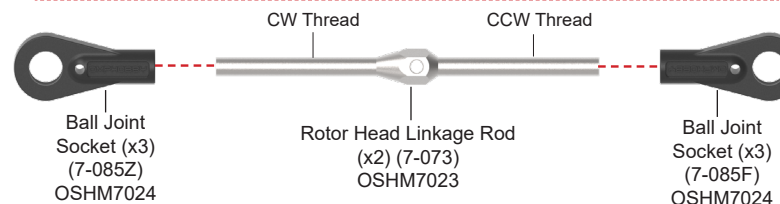
02 Servo Linkage Assembly

! When assembling, pay attention to the CW thread and CCW thread connections between the connecting rod and the ball joint socket. Ball joint sockets are pre-threaded, bags with the letter "Z" are CW threaded and bags with the letter "F" are CCW threaded.

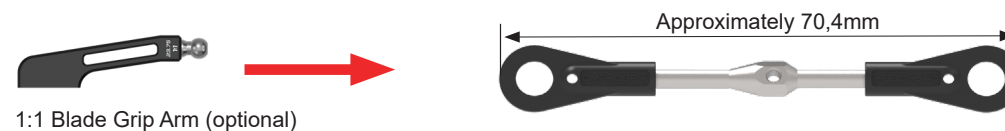
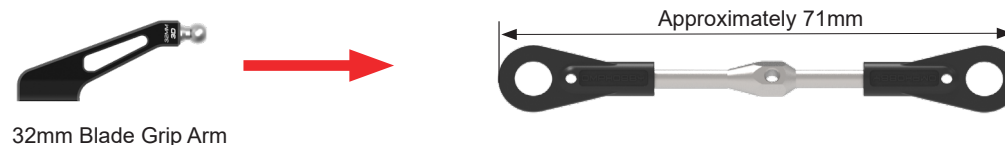


03 Rotor Head Linkage Assembly

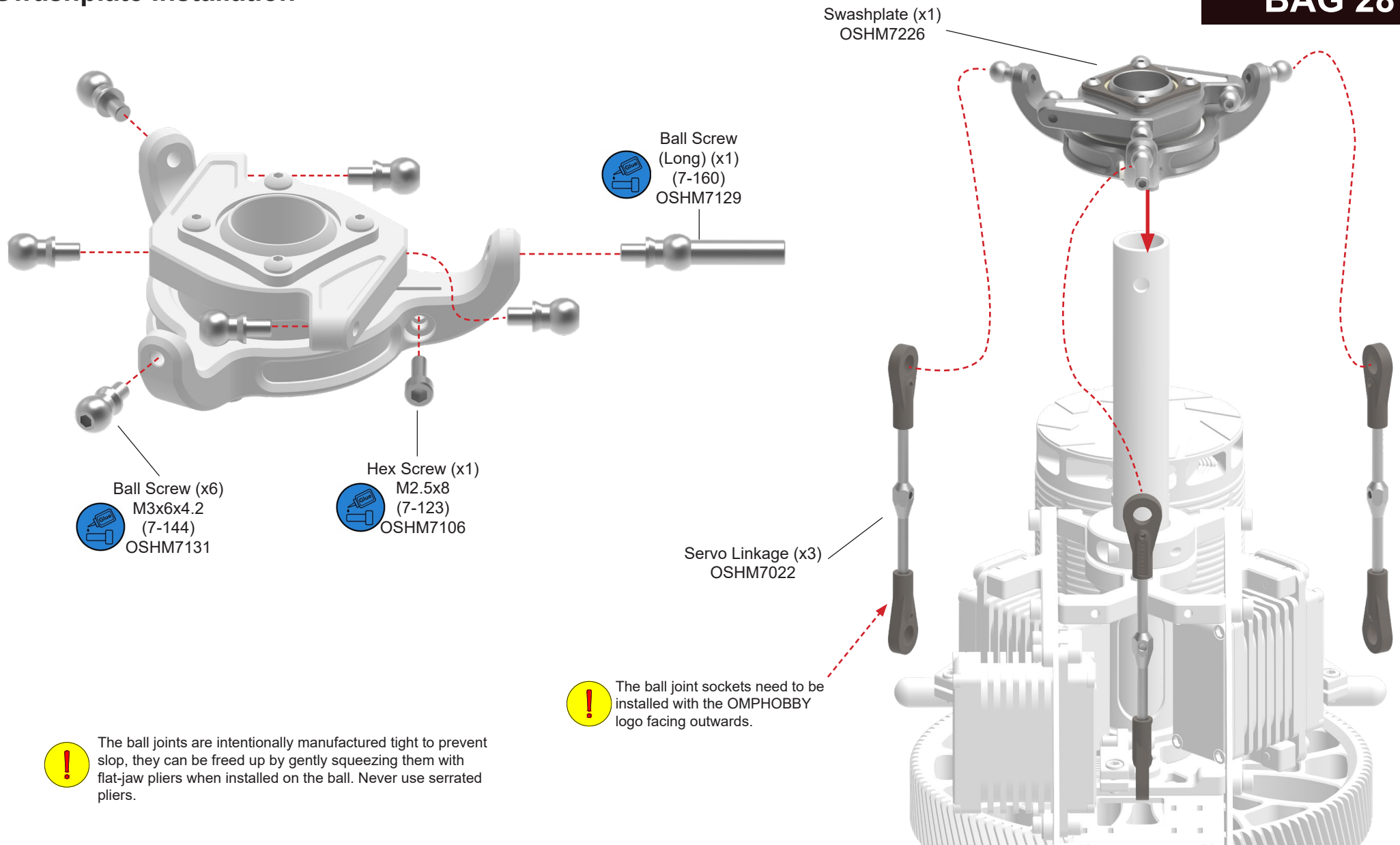
! When assembling, pay attention to the CW thread and CCW thread connections between the connecting rod and the ball joint socket. Ball joint sockets are pre-threaded, bags with the letter "Z" are CW threaded and bags with the letter "F" are CCW threaded.



Choose the correct length for your blade grip arms.

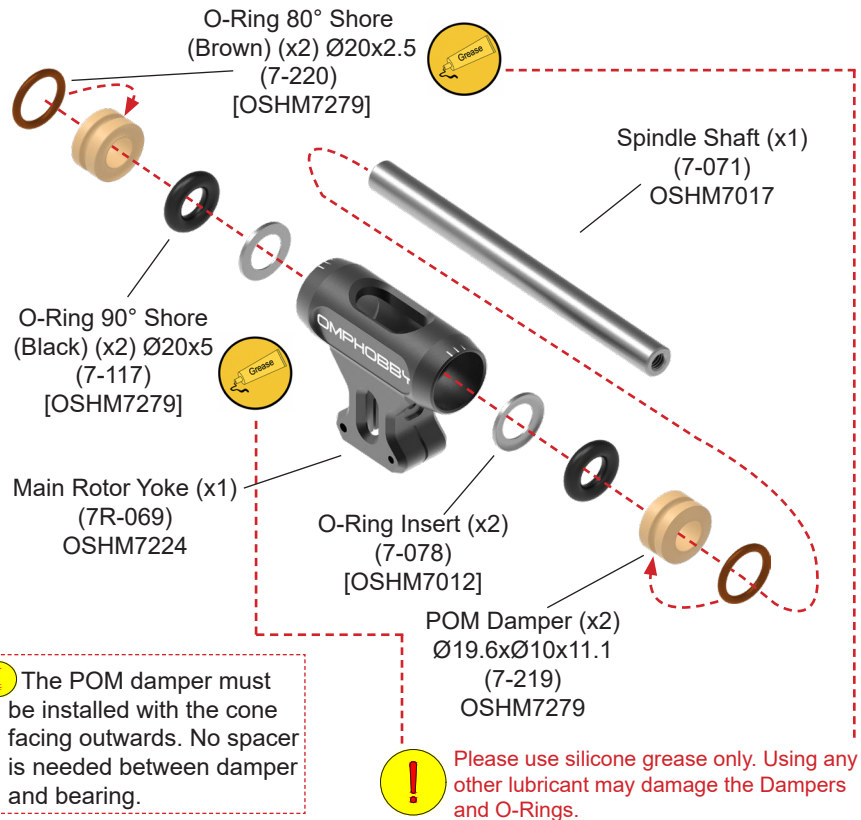


01 Swashplate Installation

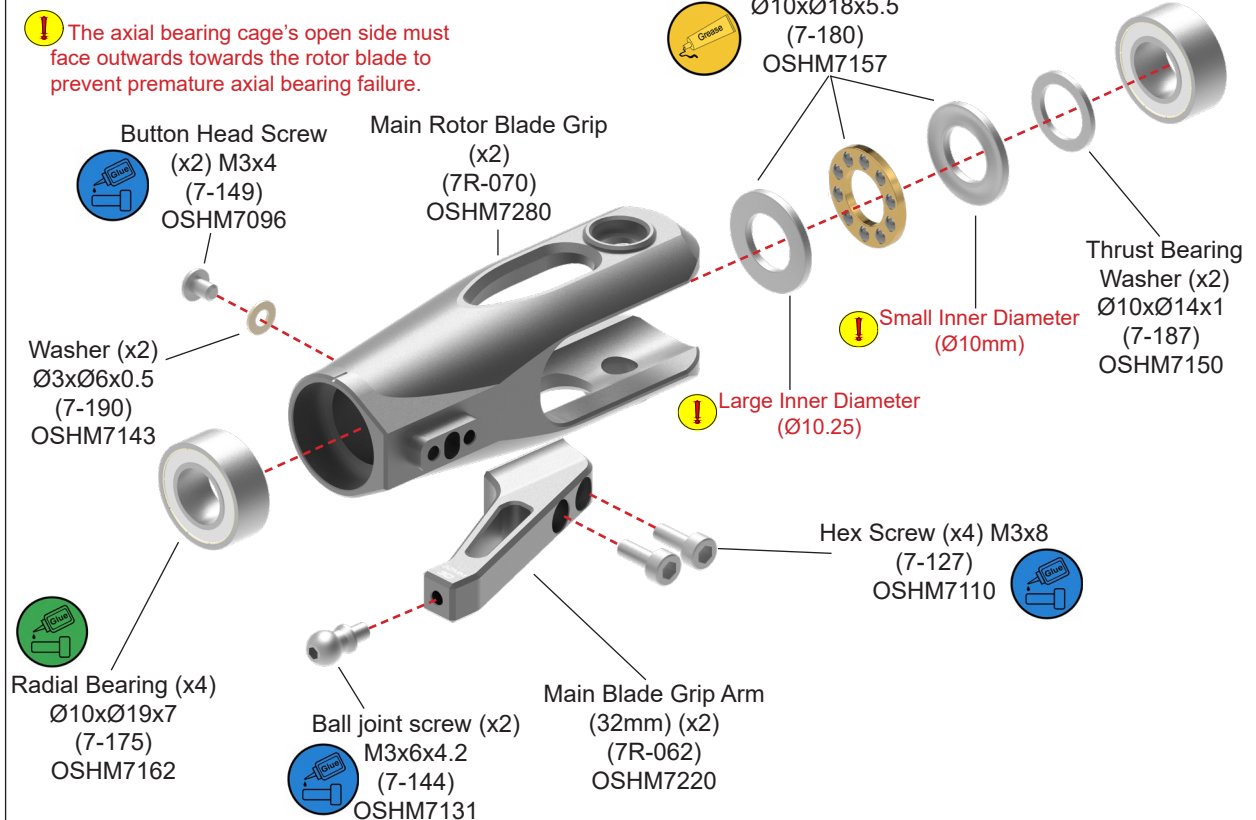


BAG 29

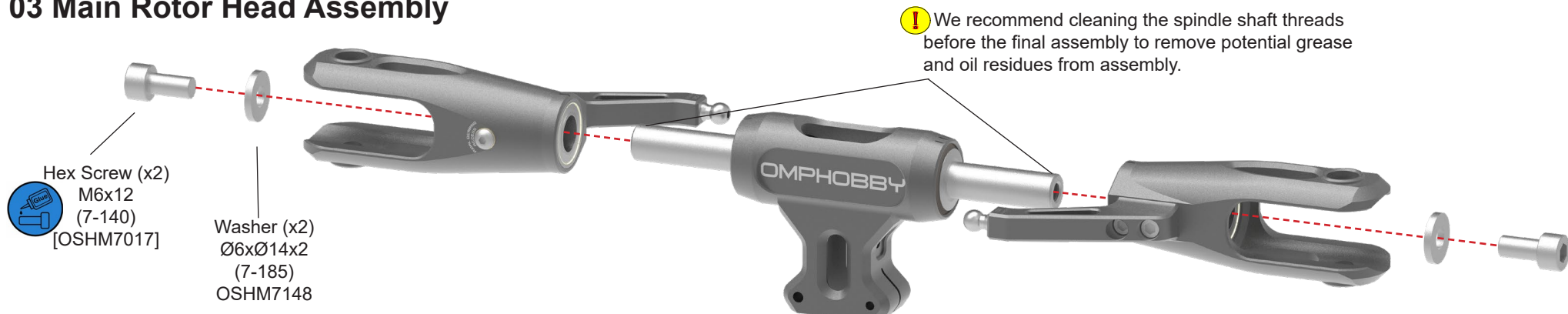
01 Main Rotor Hub Assembly



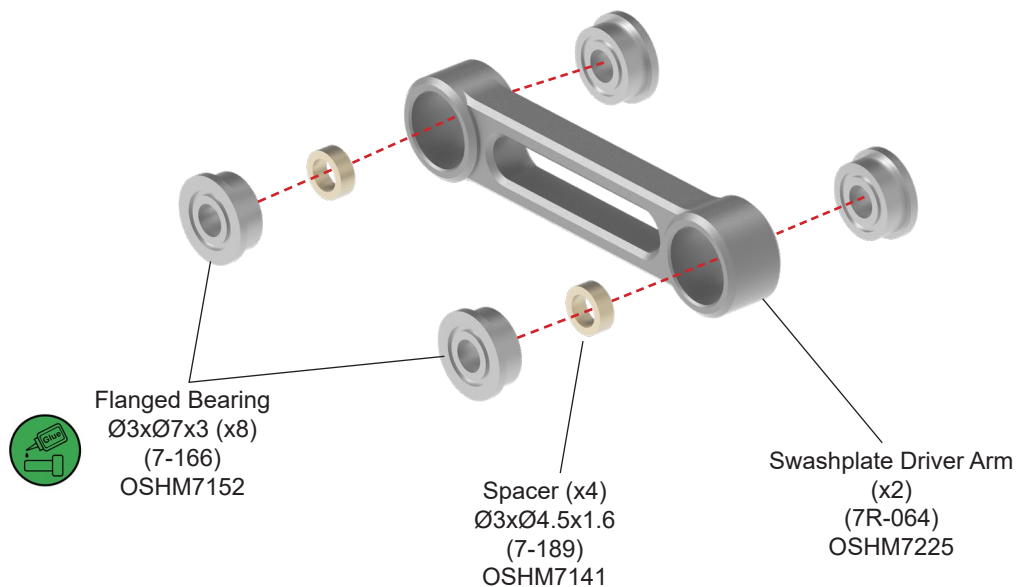
02 Main Rotor Blade Grip Assembly



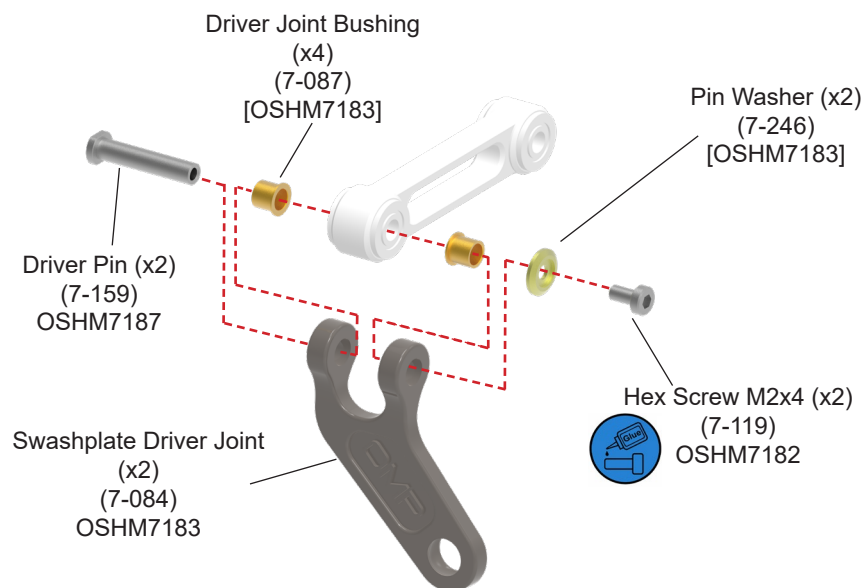
03 Main Rotor Head Assembly



01 Swashplate Driver Arm Assembly

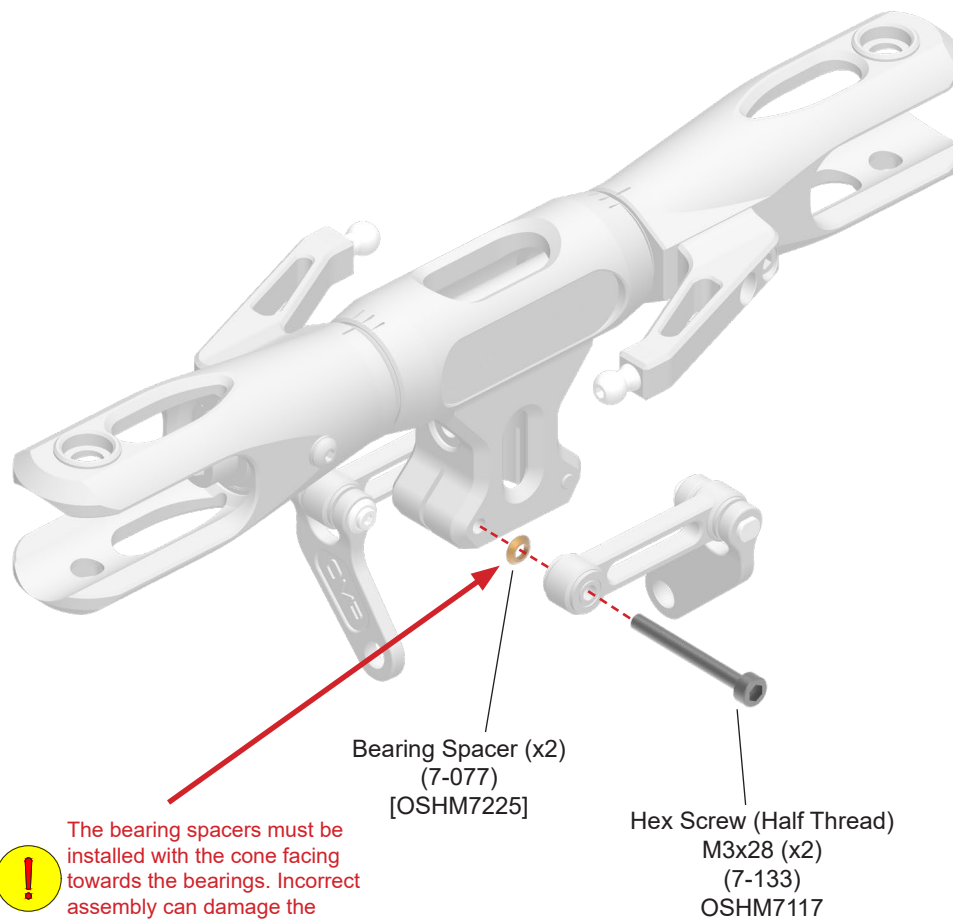


02 Swashplate Driver Arm Assembly



03 Swashplate Driver Installation

BAG 30



The bearing spacers must be installed with the cone facing towards the bearings. Incorrect assembly can damage the bearings!

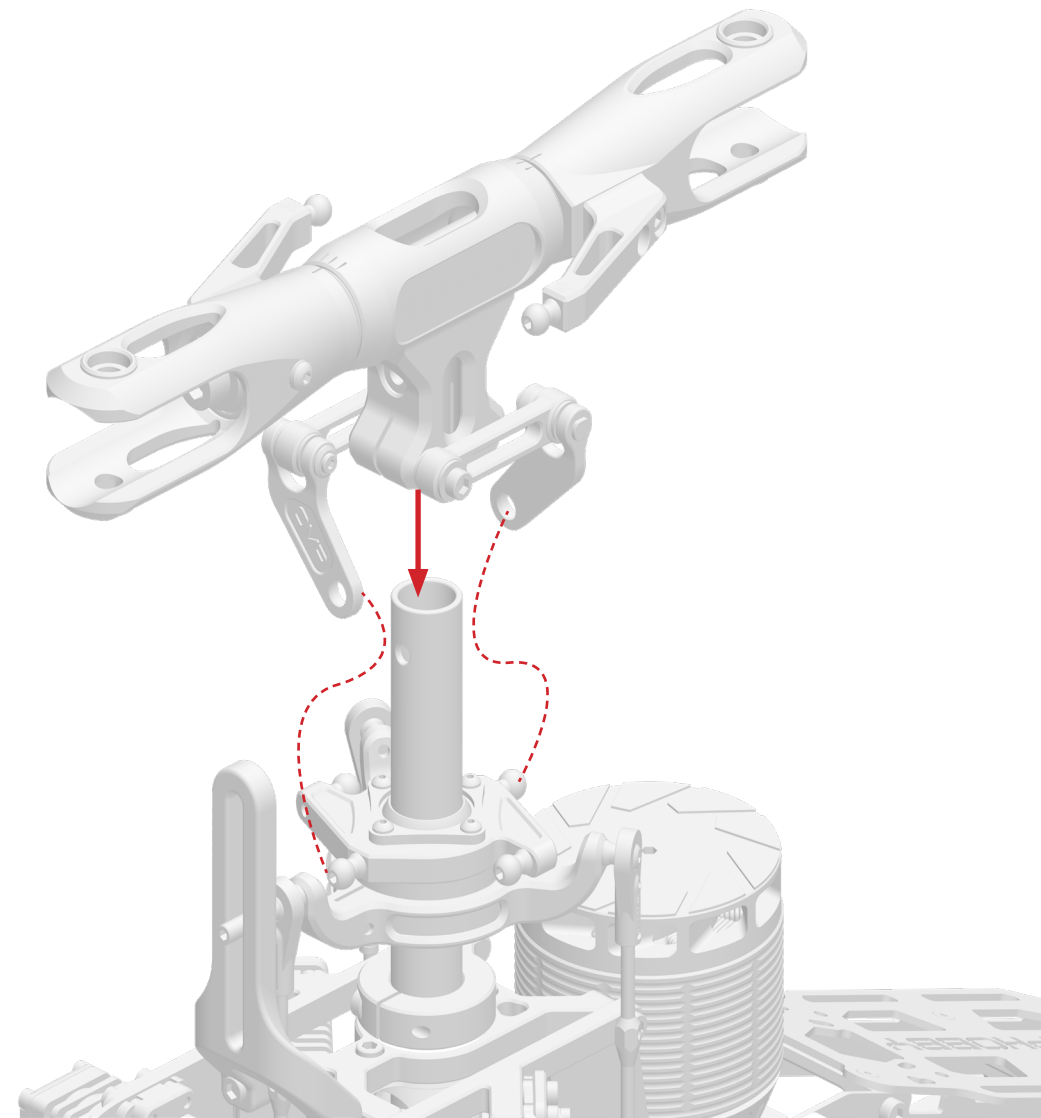
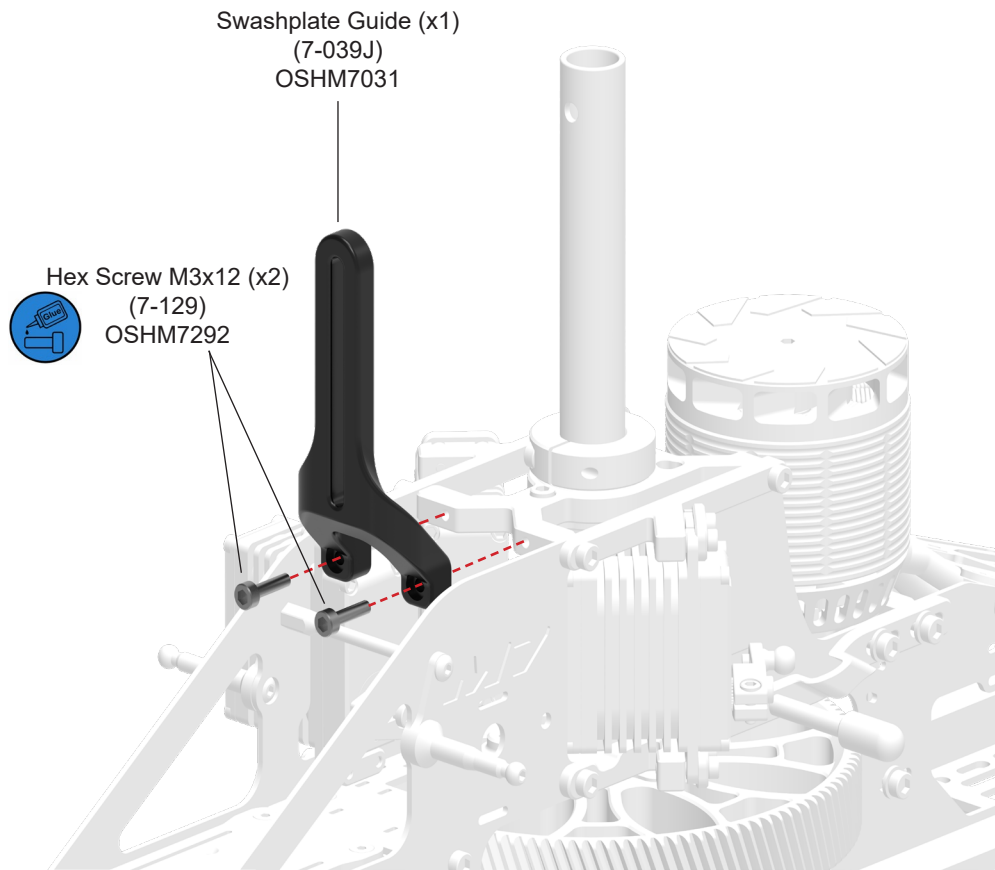


Loosely assemble without thread locker! The swashplate driver screws may only be tightened with thread locker once the main rotor assembly is installed on the main shaft.

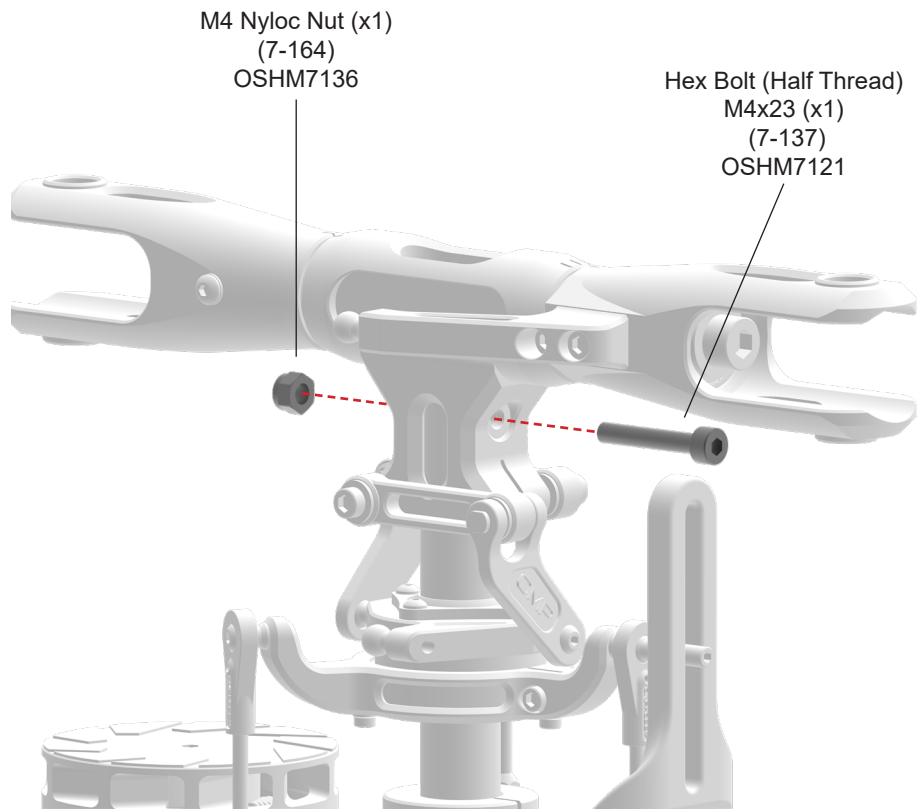
01 Swashplate Guide Installation

02 Main Rotor Head Installation

BAG 31



01 Main Rotor Installation



M4 Nyloc Nut (x1)
(7-164)
OSHM7136

Hex Bolt (Half Thread)
M4x23 (x1)
(7-137)
OSHM7121



The washplate driver arm screws must be tightened in this step to clamp the main rotor yoke onto the main shaft. To ensure proper alignment, first install the M4x23 hex bolt, but don't fully tighten yet, and then tighten the washplate driver arm screws with thread locker evenly and in small steps. After that, don't forget to fully tighten the M4x23 hex bolt.



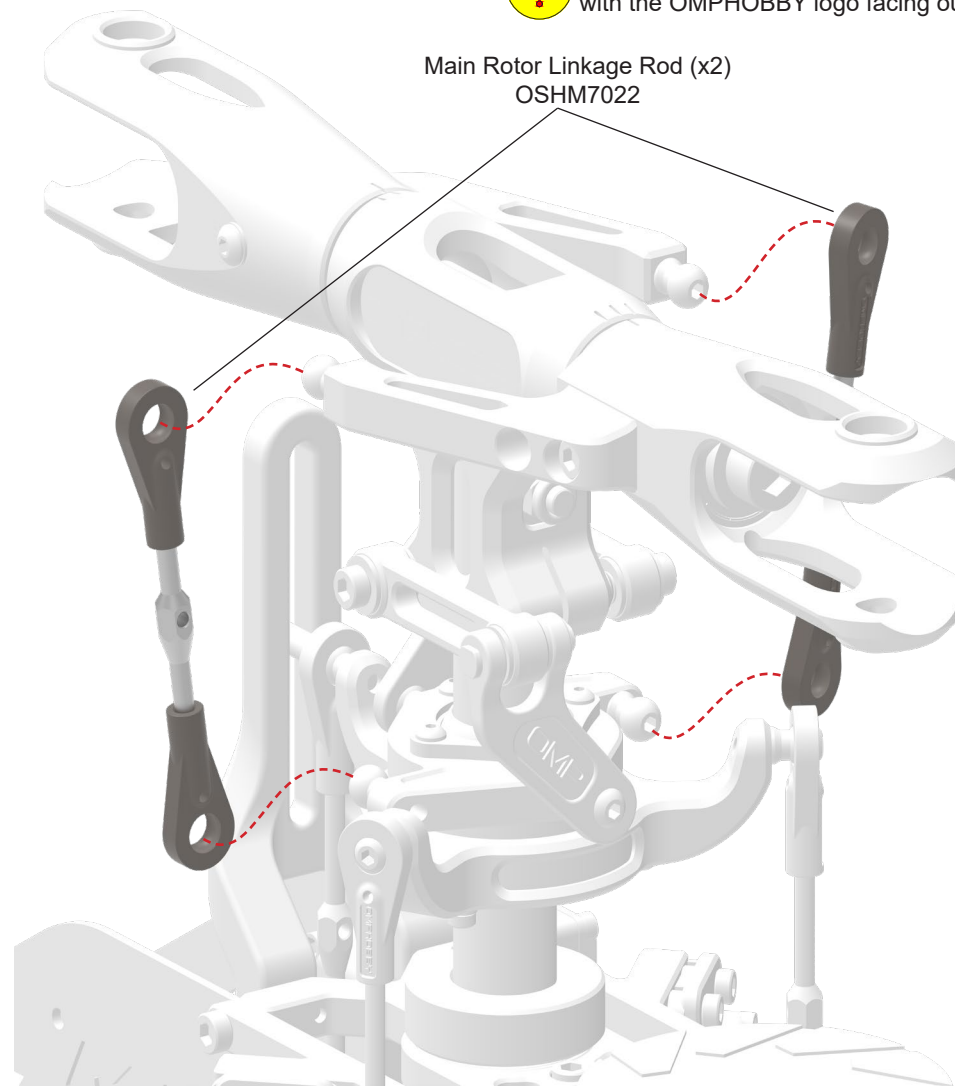
Tighten the M3x28mm washplate driver arm screws with a torque of **0.9-1.1 Nm**. Excessive torque can damage the bearings and yoke!

02 Main Rotor Linkage Installation

BAG 32



The ball joint sockets need to be installed with the OMPHOBBY logo facing outwards.



Main Rotor Linkage Rod (x2)
OSHM7022



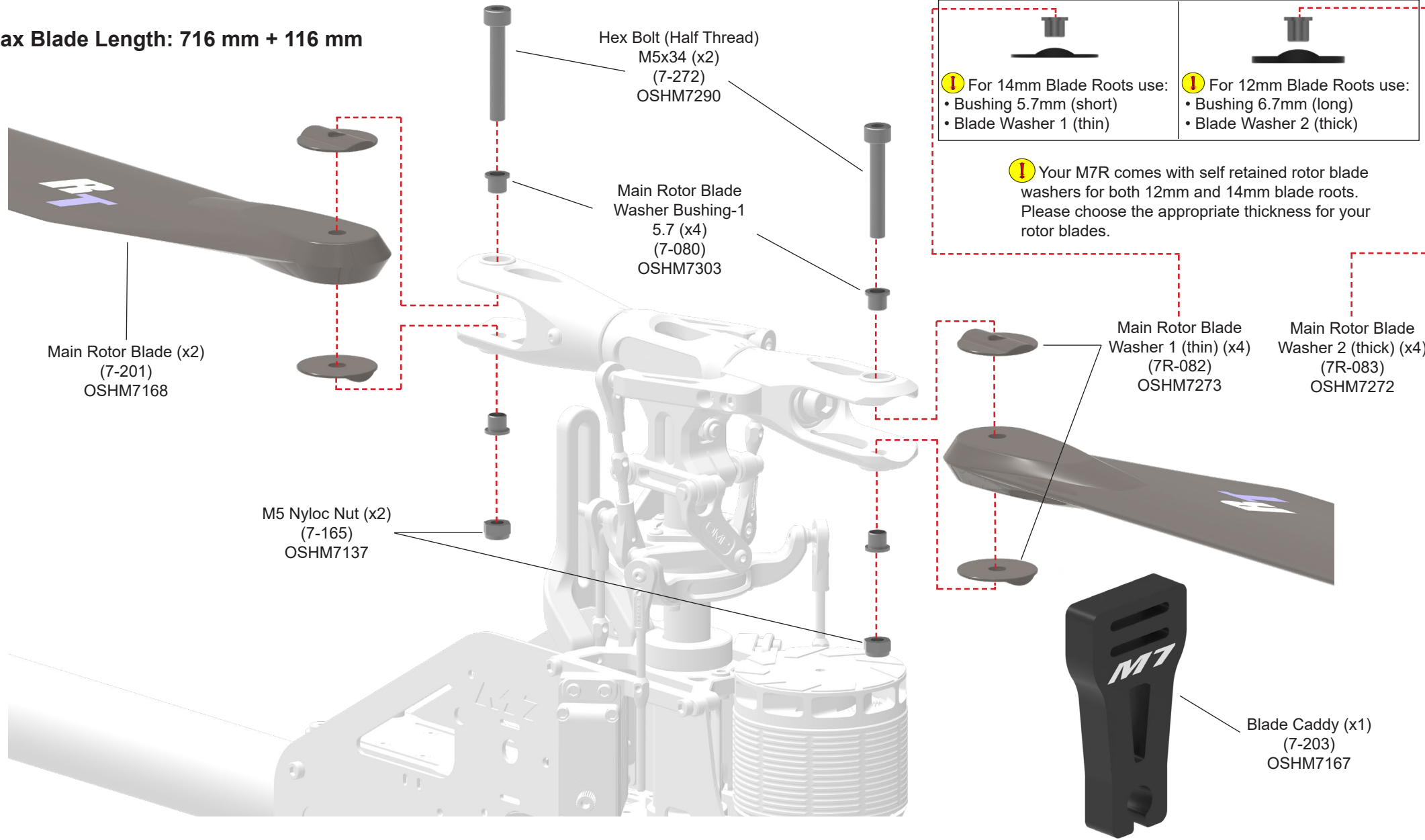
The ball joints are intentionally manufactured tight to prevent slop, they can be freed up by gently squeezing them with flat-jaw pliers when installed on the ball. Never use serrated pliers.



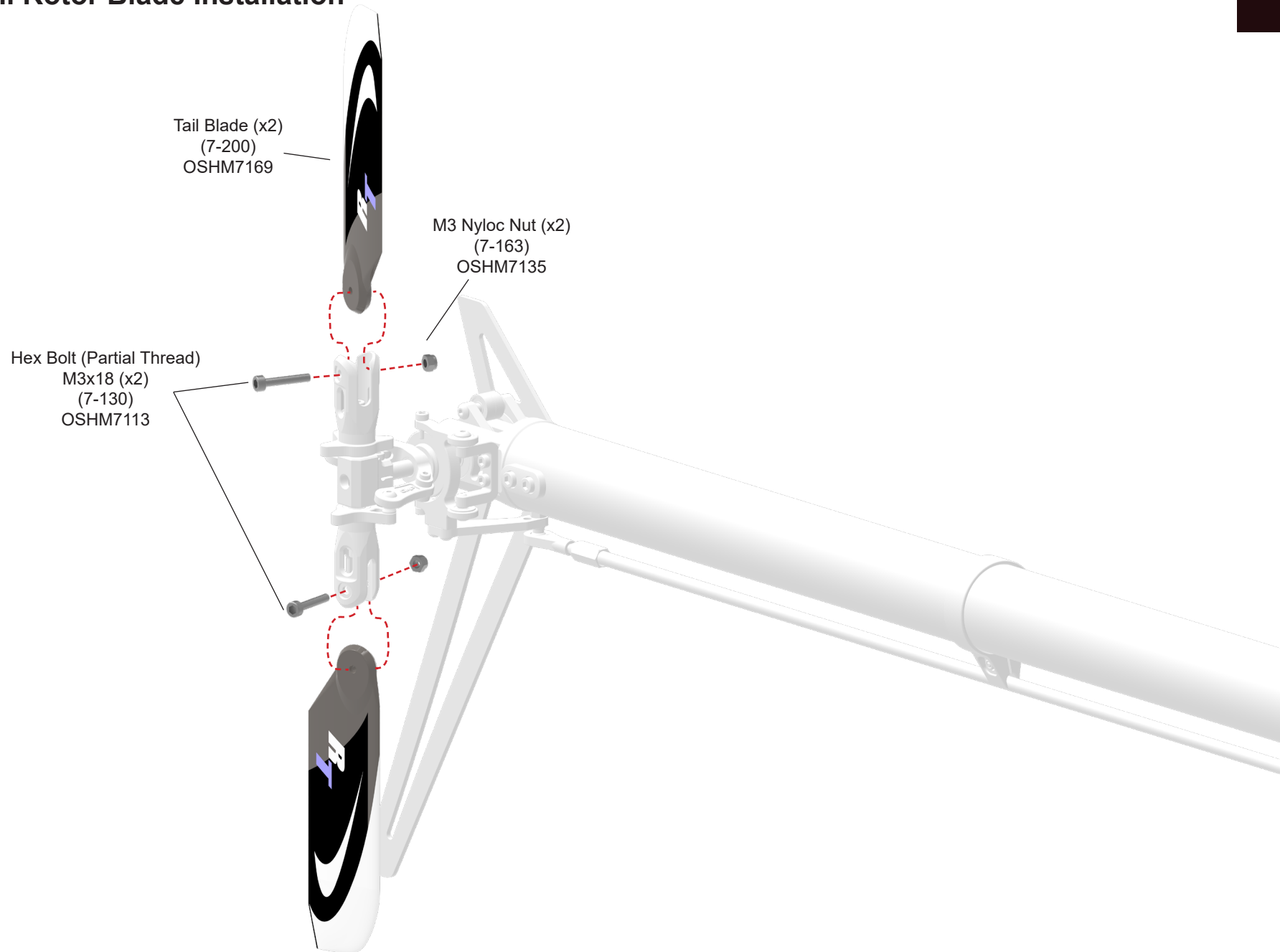
01 Main Rotor Blade Installation

BAG 33

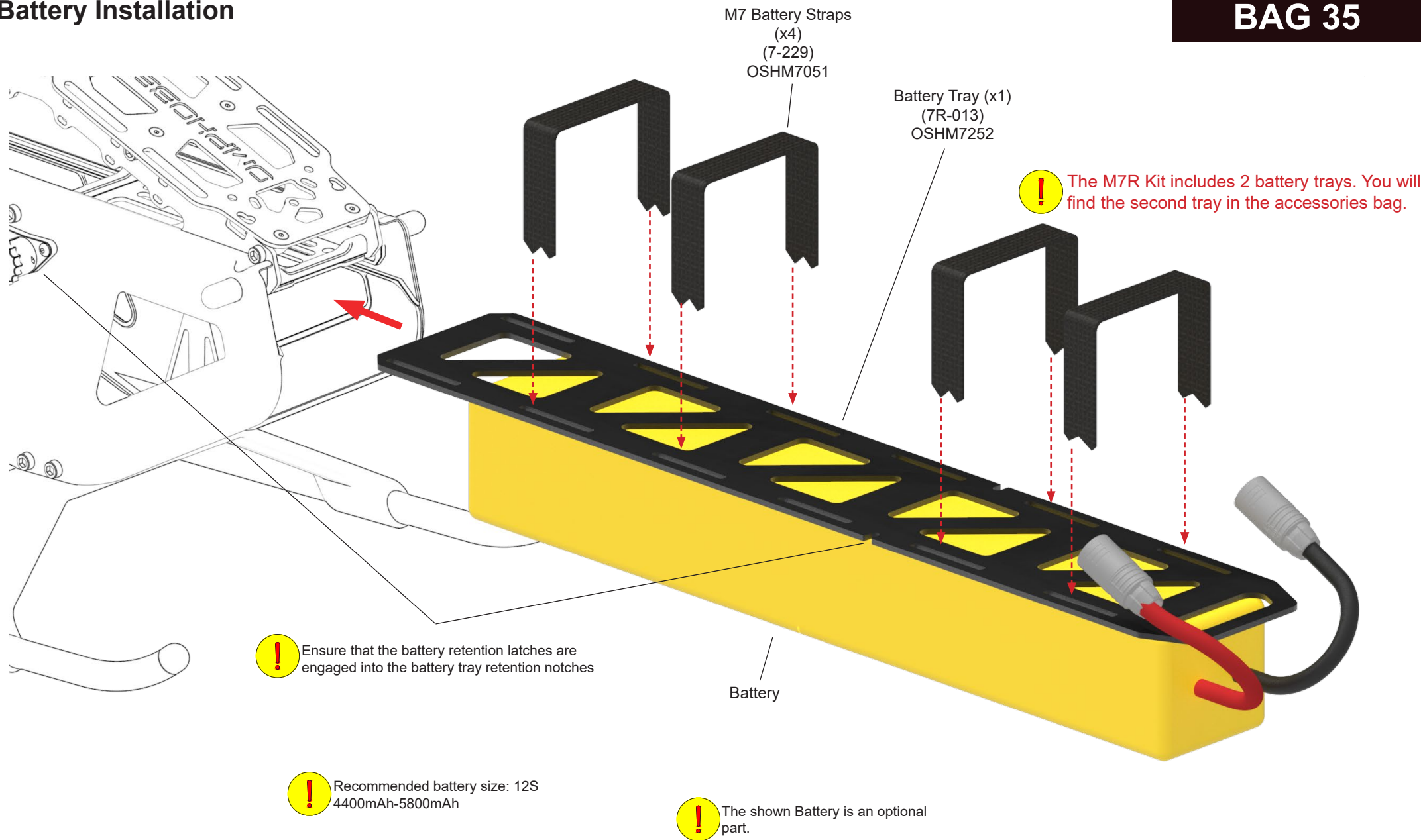
! Max Blade Length: 716 mm + 116 mm



01 Tail Rotor Blade Installation




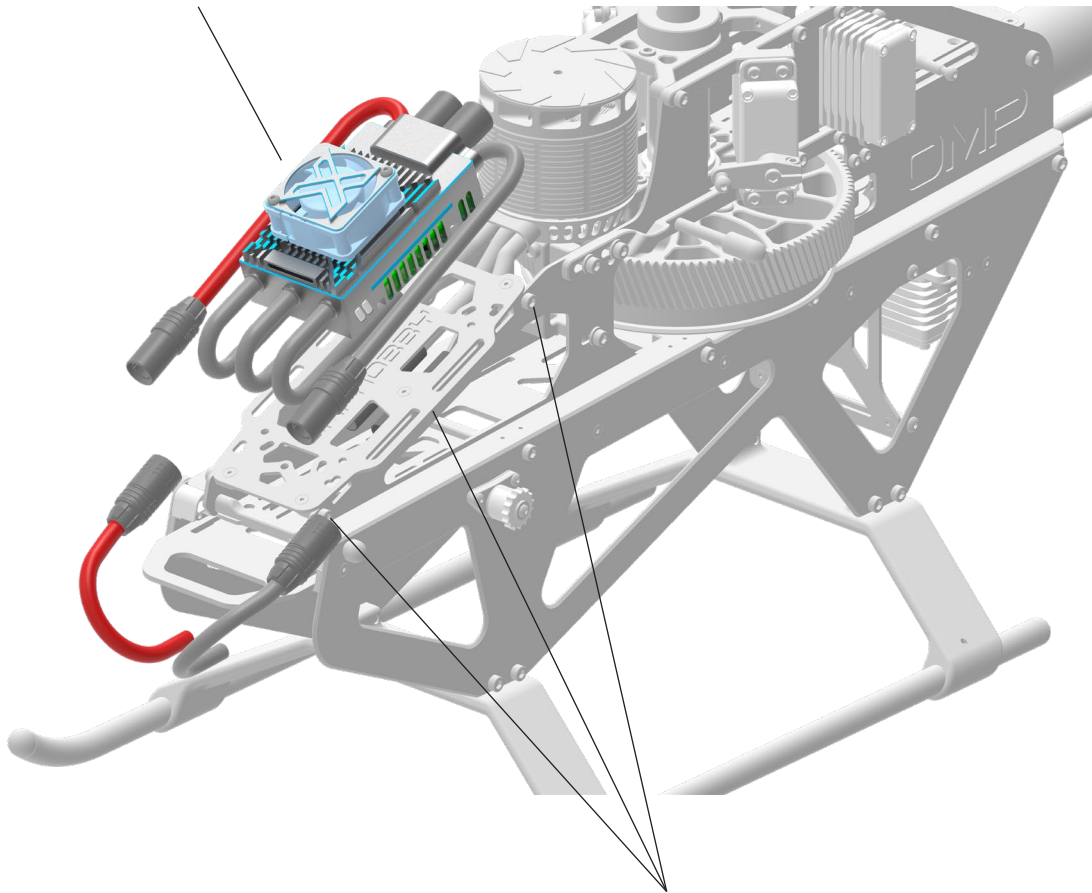
01 Battery Installation




01 ESC Installation


ESC

 The shown ESC is an optional part.

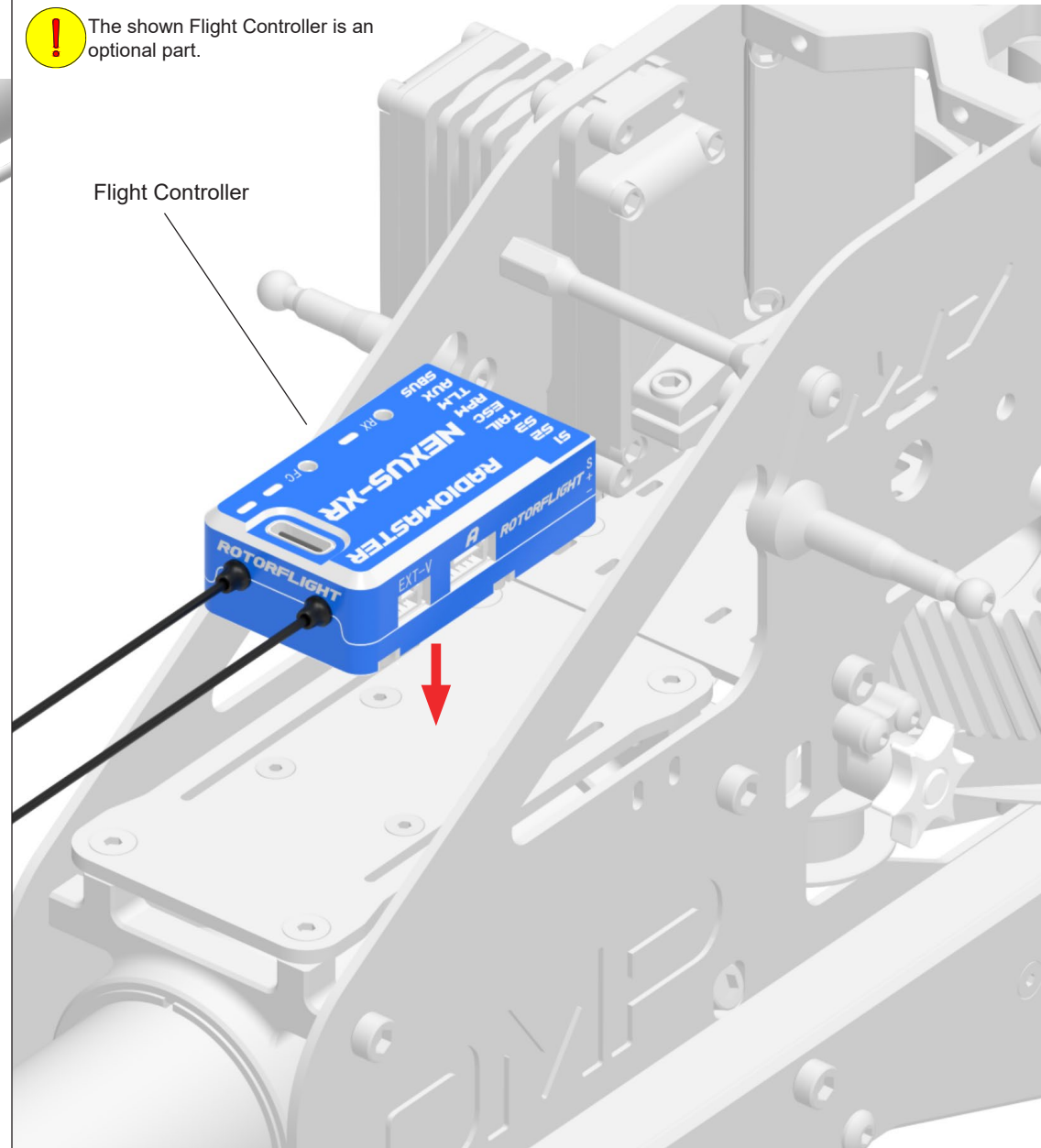


 These 6 screws used to secure the ESC plate assembly to the upper frames can be removed when installing the ESC for easier installation.

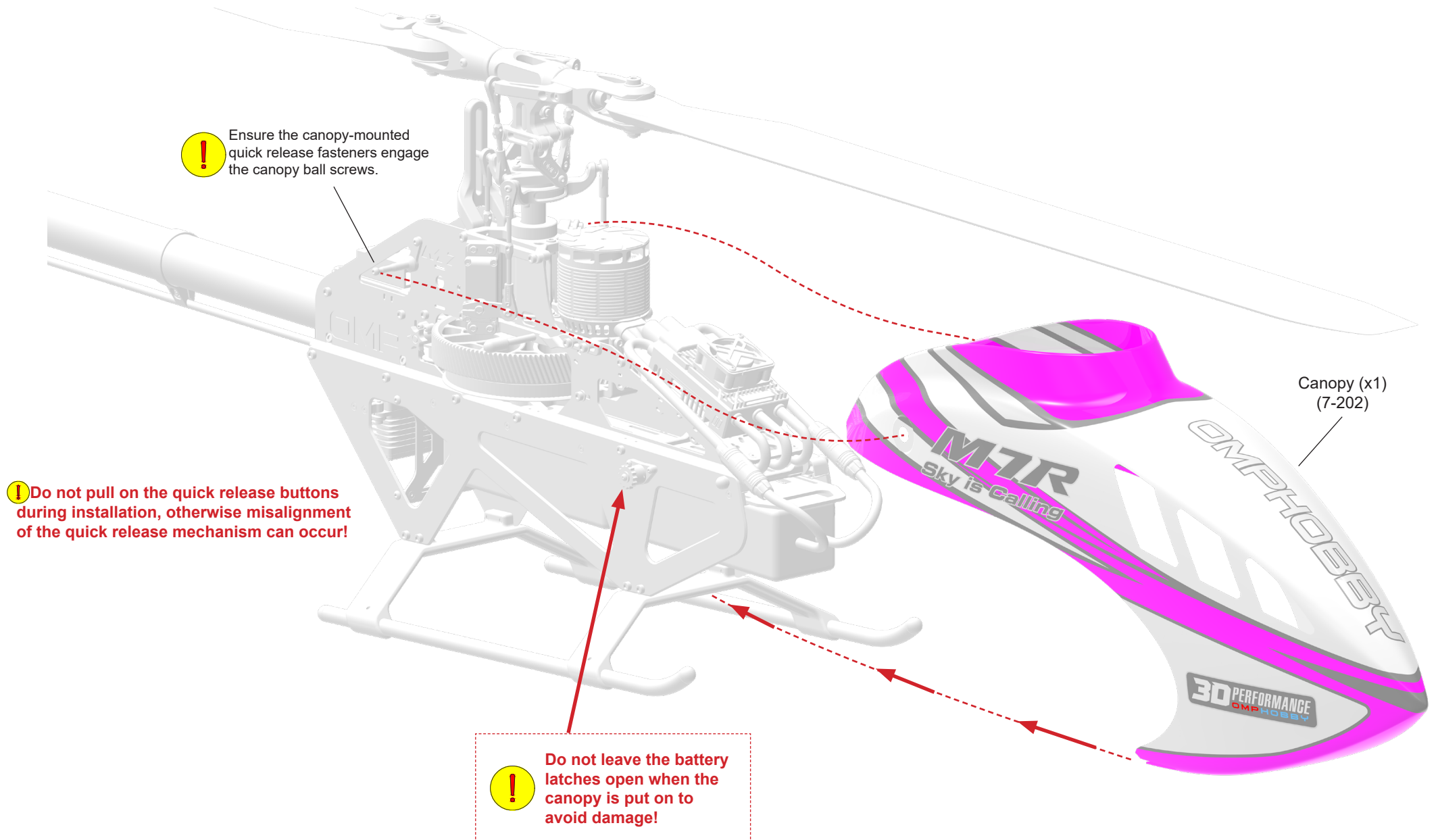
02 Flight Controller Installation

 The shown Flight Controller is an optional part.



Flight Controller



01 Canopy Installation



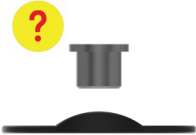
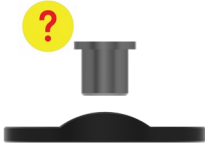











Additional Accessories

| Item | Image | Quantity |
|------------------|--|----------|
| M7R Battery Tray |  A black, carbon-fiber-textured battery tray with four rectangular cutouts and a handle on the right side. | 1 |
| Zip Ties |  Four black zip ties of equal length, arranged vertically. | 4 |























! All parts in a single box must be upgraded together. The **?** Symbol denotes several options, from which you should choose one.

! Build groups do not include bearings. If desired, the bearings can be ordered using the part numbers listed with each group.















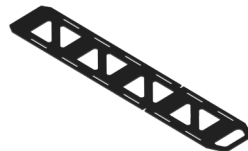
| Build Group | Parts | | | | | |
|---|---|---|--|---|---|--|
| Main Rotor Head Optional Bearings/ Parts for OSHM7280: - OSHM7162 (2 PCS) - OSHM7157 (1 PCS) - OSHM7150 (1 PCS) |  Main Rotor Yoke OSHM7224 Quantity: x1 |  Main Rotor Blade Grip OSHM7280 Quantity: x2 |  Main Rotor Blade Washer Set 1 (14mm) OSHM7273 Quantity: x1 |  Main Rotor Blade Washer Set 2 (12mm) OSHM7272 Quantity: x1 |  Main Blade Grip Arm 32mm OSHM7220 Quantity: x1 |  Main Blade Grip Arm 1:1 OSHM7295 Quantity: x1 |
| Swashplate |  Swashplate (Assembled) OSHM7226 Quantity: x1 |  Swashplate Driver Arm Set OSHM7225 Quantity: x1 | | | | |
| Main Frame 1 Optional Bearings for OSHM7229&7230: - OSHM7165 (2 PCS) |  Upper Coaxiality Block OSHM7229 Quantity: x1 |  Lower Coaxiality Block OSHM7230 Quantity: x1 |  Motor Mounting Plate OSHM7223 Quantity: x1 |  Tensioner Assembly OSHM7278 Quantity: x1 |  Landing Gear Tube OSHM7261 Quantity: x1 | |



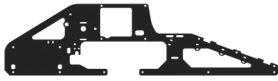




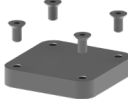
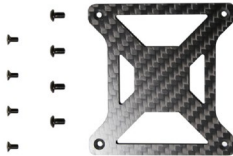

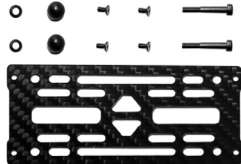
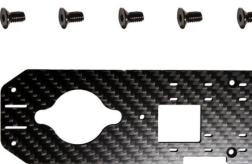


















! All parts in a single box must be upgraded together. The **?** Symbol denotes several options, from which you should choose one.

























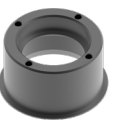





! Build groups do not include screws. If desired, the screws can be ordered using the part numbers listed with each group.





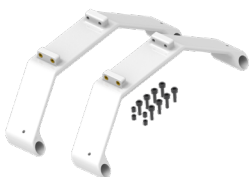






















| Build Group | Parts | | | | | | | |
|--|--|---|---|--|--|--|--|---|
| Drivetrain |  <p>Main Pulley 110T OSHM7275 Quantity: x1</p> |  <p>Main Gear 122T-L OSHM7218 Quantity: x1</p> |  <p>Motor Pinion 11T-L OSHM7247 Quantity: x1</p> |  <p>Motor Pinion 12T-L OSHM7248 Quantity: x1</p> |  <p>Motor Pinion 13T-L OSHM7249 Quantity: x1</p> |  <p>Motor Pinion 14T-L OSHM7250 Quantity: x1</p> |  <p>Motor Pinion 15T-L OSHM7251 Quantity: x1</p> | |
| Main Frame 2 |  <p>Lower Frame Spacer L OSHM7257 Quantity: x1</p> |  <p>Lower Frame Spacer R OSHM7256 Quantity: x1</p> |  <p>Battery Rail R OSHM7258 Quantity: x1</p> |  <p>Battery Rail L OSHM7259 Quantity: x1</p> |  <p>Lower Frame Stiffener Plate OSHM7254 Quantity: x2</p> |  <p>Battery Rail Support Blocks OSHM7260 Quantity: x2</p> |  <p>Tail Servo Mounting Block OSHM7235 Quantity: x1</p> |  <p>Battery Latch Spacer Set OSHM7286 Quantity: x1</p> |
| <p>Required Screw Sets: - OSHF5091 (4 PCS) - OSHM7236 (1 PCS) - OSHM7144 (1 PCS) - OSHM7113 (1 PCS) - OSHM7094 (1 PCS) - OSHM5123 (1 PCS)</p> |  <p>Tail Boom Clamp Front OSHM7232 Quantity: x1</p> |  <p>Tail Boom Clamp Rear OSHM7233 Quantity: x1</p> |  <p>Upper Frame Plate L OSHM7211 Quantity: x1</p> |  <p>Upper Frame Plate R OSHM7210 Quantity: x1</p> |  <p>Lower Frame Plate L OSHM7209 Quantity: x1</p> |  <p>Lower Frame Plate R OSHM7208 Quantity: x1</p> |  <p>Canopy Spacer Set OSHM7285 Quantity: x1</p> | |

! All parts in a single box must be upgraded together. The **?** Symbol denotes several options, from which you should choose one.































| Build Group | Parts | | | | |
|-------------|--|---|--|---|---|
| Tail 1 |  <p>Carbon Tail Boom Orange OSHM7266 Quantity: x1</p> |  <p>Carbon Tail Boom Yellow OSHM7267 Quantity: x1</p> |  <p>Carbon Tail Boom Pink OSHM7268 Quantity: x1</p> |  <p>Carbon Tail Boom Green OSHM7269 Quantity: x1</p> |  <p>Carbon Tail Boom White OSHM7270 Quantity: x1</p> |
| Tail 2 |  <p>Tail Fin Orange OSHM7243 Quantity: x1</p> |  <p>Tail Fin Yellow OSHM7244 Quantity: x1</p> |  <p>Tail Fin Pink OSHM7245 Quantity: x1</p> |  <p>Tail Fin Green OSHM7246 Quantity: x1</p> |  <p>Tail Rotor Damper OSHM7088 Quantity: x1</p> |
| Canopy |  <p>Canopy Cosmic Orange OSHM7239 Quantity: x1</p> |  <p>Canopy Solar Yellow OSHM7240 Quantity: x1</p> |  <p>Canopy Nebula Pink OSHM7241 Quantity: x1</p> |  <p>Canopy Aurora Green OSHM7242 Quantity: x1</p> |  <p>Battery Tray M7R OSHM7252 Quantity: x1</p> |















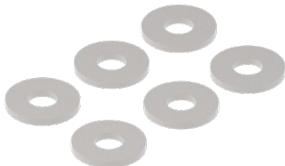
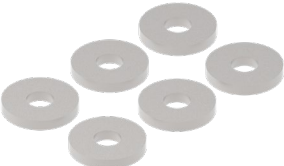


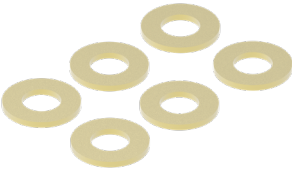



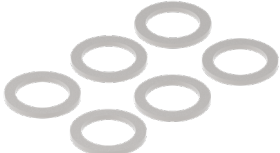
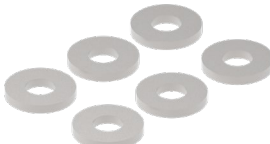
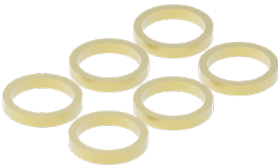
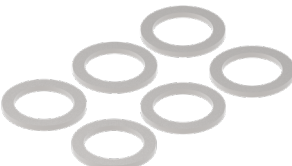




| | | | | | |
|--|--|---|--|--|--|
| Part Number: OSHM7208  | Part Number: OSHM7209  | Part Number: OSHM7210  | Part Number: OSHM7211  | Part Number: OSHM7212  | Part Number: OSHM7213  |
| Lower Frame Plate R | Lower Frame Plate L | Upper Frame Plate R | Upper Frame Plate L | ESC Plate | FBL Mounting Plate |
| Part Number: OSHM7214  | Part Number: OSHM7055  | Part Number: OSHM7215  | Part Number: OSHM7057  | Part Number: OSHM7216  | Part Number: OSHM7217  |
| FBL Dampers | Inertial Mass Damper | Lower Aux Plate | Mounting Cross Member 69mm | Upper Aux Plate | Separator Plate |
| Part Number: OSHM7053  | Part Number: OSHM7218  | Part Number: OSHM7219  | Part Number: OSHM7275  | Part Number: OSHM7276  | Part Number: OSHM7035  |
| Mounting Crossmember 45mm | Main Gear 122T-L | One-Way-Bearing Assembly | Main Pulley 110T | Tail Belt | Main Shaft Cover |
| Part Number: OSHM7277  | Part Number: OSHM7064  | Part Number: OSHM7221  | Part Number: OSHM7286  | Part Number: OSHM7278  | Part Number: OSHM7066  |
| Canopy Mounts | Tensioner Idler Pulley | Battery Quick Release Assembly | Battery Latch Spacer Set | Belt Tensioner Mounting Base | Belt Tensioner Knob |
| Part Number: OSHM7254  | Part Number: OSHM7256  | Part Number: OSHM7257  | Part Number: OSHM7258  | Part Number: OSHM7259  | Part Number: OSHM7285  |
| Lower Frame Stiffener Plate | Lower Frame Spacer R | Lower Frame Spacer L | Battery Rail R | Battery Rail L | Canopy Spacer Set |

| | | | | | |
|---|---|--|--|--|--|
| <p>Part Number: OSHM7046</p>  <p>Upper Servo Mount R</p> | <p>Part Number: OSHM7222</p>  <p>Upper Servo Mount L</p> | <p>Part Number: OSHM7048</p>  <p>Lower Servo Mount R</p> | <p>Part Number: OSHM7047</p>  <p>Lower Servo Mount L</p> | <p>Part Number: OSHM7260</p>  <p>Battery Rail Support Blocks</p> | <p>Part Number: OSHM7223</p>  <p>Motor Mounting Plate</p> |
| <p>Part Number: OSHM7006</p>  <p>Motor Mounting Bracket</p> | <p>Part Number: OSHM7279</p>  <p>Main Rotor Damper POM</p> | <p>Part Number: OSHM7280</p>  <p>Main Rotor Blade Grip</p> | <p>Part Number: OSHM7224</p>  <p>Main Rotor Yoke</p> | <p>Part Number: OSHM7015</p>  <p>Main Shaft</p> | <p>Part Number: OSHM7017</p>  <p>Spindle Shaft</p> |
| <p>Part Number: OSHM7220</p>  <p>Main Blade Grip Arm 32mm</p> | <p>Part Number: OSHM7295</p>  <p>Main Blade Grip Arm 1:1</p> | <p>Part Number: OSHM7032</p>  <p>Main Rotor Shaft Clamp</p> | <p>Part Number: OSHM7225</p>  <p>Swashplate Driver Arm</p> | <p>Part Number: OSHM7183</p>  <p>Swashplate Driver Joint</p> | <p>Part Number: OSHM7031</p>  <p>Swashplate Guide</p> |
| <p>Part Number: OSHM7024</p>  <p>Ball Joint Sockets</p> | <p>Part Number: OSHM7022</p>  <p>Servo Linkage Rod</p> | <p>Part Number: OSHM7023</p>  <p>Rotor Head Linkage Rod</p> | <p>Part Number: OSHM7226</p>  <p>Swashplate</p> | <p>Part Number: OSHM7227</p>  <p>Swashplate Outer Ring</p> | <p>Part Number: OSHM7255</p>  <p>Swashplate Inner Ring</p> |
| <p>Part Number: OSHM7228</p>  <p>Swashplate Hub</p> | <p>Part Number: OSHM7029</p>  <p>Spherical Bearing</p> | <p>Part Number: OSHM7232</p>  <p>Tail Boom Clamp Front</p> | <p>Part Number: OSHM7233</p>  <p>Tail Boom Clamp Rear</p> | <p>Part Number: OSHM7293</p>  <p>Tail Boom Clamp POM Insert</p> | <p>Part Number: OSHM7229</p>  <p>Upper Coaxiality Block</p> |

| | | | | | |
|--|---|---|--|---|--|
| <p>Part Number: OSHM7230</p>  <p>Lower Coaxiality Block</p> | <p>Part Number: OSHM7231</p>  <p>Lower Bearing Block</p> | <p>Part Number: OSHM7235</p>  <p>Tail Rotor Servo Mounting Block</p> | <p>Part Number: OSHM7077</p>  <p>Tail Control Rod Guide</p> | <p>Part Number: OSHM7078</p>  <p>Tail Control Rod</p> | <p>Part Number: OSHM7262</p>  <p>Landing Gear Skids</p> |
| <p>Part Number: OSHM7261</p>  <p>Landing Gear Skid Pipes</p> | <p>Part Number: OSHM7263</p>  <p>Carbon Tail Boom</p> | <p>Part Number: OSHM7269</p>  <p>Carbon Tail Boom Green</p> | <p>Part Number: OSHM7266</p>  <p>Carbon Tail Boom Orange</p> | <p>Part Number: OSHM7268</p>  <p>Carbon Tail Boom Pink</p> | <p>Part Number: OSHM7267</p>  <p>Carbon Tail Boom Yellow</p> |
| <p>Part Number: OSHM7270</p>  <p>Carbon Tail Boom White</p> | <p>Part Number: OSHM7090</p>  <p>Tail Fin</p> | <p>Part Number: OSHM7246</p>  <p>Tail Fin Green</p> | <p>Part Number: OSHM7243</p>  <p>Tail Fin Orange</p> | <p>Part Number: OSHM7245</p>  <p>Tail Fin Pink</p> | <p>Part Number: OSHM7244</p>  <p>Tail Fin Yellow</p> |
| <p>Part Number: OSHM7302</p>  <p>Tail Pulley 22T</p> | <p>Part Number: OSHM7265</p>  <p>Tail Idler Pulley</p> | <p>Part Number: OSHM7281</p>  <p>Tail Pitch Slider Control Ring</p> | <p>Part Number: OSHM7282</p>  <p>Tail Pitch Slider Sleeve</p> | <p>Part Number: OSHM7283</p>  <p>Tail Pitch Slider Bellcrank Pin</p> | <p>Part Number: OSHM7284</p>  <p>Tail Pitch Slider Ball Joint Sockets</p> |
| <p>Part Number: OSHM7288</p>  <p>Tail Pitch Slider Bridge</p> | <p>Part Number: OSHM7079</p>  <p>Tail Pitch Slider</p> | <p>Part Number: OSHM7083</p>  <p>Tail Boom Protector</p> | <p>Part Number: OSHM7084</p>  <p>Tail Rotor Yoke</p> | <p>Part Number: OSHM7085</p>  <p>Tail Blade Grip</p> | <p>Part Number: OSHM7080</p>  <p>Tail Bellcrank Base</p> |

| | | | | | |
|---|--|--|---|--|--|
| <p>Part Number: OSHM7081</p>  <p>Tail Bellcrank</p> | <p>Part Number: OSHM7264</p>  <p>Tail Bellcrank Arm</p> | <p>Part Number: OSHM7089</p>  <p>Tail Case</p> | <p>Part Number: OSHM7086</p>  <p>Tail Rotor Shaft</p> | <p>Part Number: OSHM7301</p>  <p>Tail Rotor Shaft (New Version)</p> | <p>Part Number: OSHM7087</p>  <p>Tail Rotor Spindle Shaft</p> |
| <p>Part Number: OSHM7088</p>  <p>Tail Rotor Damper</p> | <p>Part Number: OSHM7247</p>  <p>Motor Pinion 11T-L</p> | <p>Part Number: OSHM7248</p>  <p>Motor Pinion 12T-L</p> | <p>Part Number: OSHM7249</p>  <p>Motor Pinion 13T-L</p> | <p>Part Number: OSHM7250</p>  <p>Motor Pinion 14T-L</p> | <p>Part Number: OSHM7251</p>  <p>Motor Pinion 15T-L</p> |
| <p>Part Number: OSHM7044</p>  <p>Servo Alignment Spacer</p> | <p>Part Number: OSHM7045</p>  <p>Servo Alignment Nut CNC 5mm</p> | <p>Part Number: OSHM7043</p>  <p>Servo Alignment Nut CNC 4mm (V)</p> | <p>Part Number: OSHM6022</p>  <p>Servo Bushing</p> | <p>Part Number: OSHM7299</p>  <p>Servo Bushing 4.4mm</p> | <p>Part Number: OSHM7192</p>  <p>Metal Servo Arm Set 25T</p> |
| <p>Part Number: OSHM7272</p>  <p>Main Blade Washer Set 2 (12mm)</p> | <p>Part Number: OSHM7273</p>  <p>Main Blade Washer Set 1 (14mm)</p> | <p>Part Number: OSHM7167</p>  <p>Blade Caddy</p> | <p>Part Number: OSHM7039</p>  <p>Servo Arm Plastic</p> | <p>Part Number: OSHM7252</p>  <p>Battery Tray M7R</p> | <p>Part Number: OSHM7239</p>  <p>Canopy Cosmic Orange</p> |
| <p>Part Number: OSHM7240</p>  <p>Canopy Solar Yellow</p> | <p>Part Number: OSHM7241</p>  <p>Canopy Nebula Pink</p> | <p>Part Number: OSHM7242</p>  <p>Canopy Aurora Green</p> | <p>Part Number: OSHM7168</p>  <p>Main Rotor Blades (RT-700U)</p> | <p>Part Number: OSHM7169</p>  <p>Tail Rotor Blades (RT-106U)</p> | <p>Part Number: OSHM7093</p>  <p>Button Head Screw M2.5x6</p> |

| | | | | | |
|--|--|---|--|---|---|
| <p>Part Number: OSHM7094</p>  <p>Button Head Screw M2.5x8</p> | <p>Part Number: OSHM7095</p>  <p>Button Head Screw M2.5x10</p> | <p>Part Number: OSHM7096</p>  <p>Button Head Screw M3x4</p> | <p>Part Number: OSHM7296</p>  <p>Button Head Screw M3x5</p> | <p>Part Number: OSHM7097</p>  <p>Button Head Screw M3x6</p> | <p>Part Number: OSHM7098</p>  <p>Button Head Screw M3x8</p> |
| <p>Part Number: OSHM7100</p>  <p>Button Head Screw M3x22</p> | <p>Part Number: OSHM7182</p>  <p>Hex Screw M2x4</p> | <p>Part Number: OSHM7103</p>  <p>Hex Screw M2x5</p> | <p>Part Number: OSHM7104</p>  <p>Hex Screw M2x8</p> | <p>Part Number: OSHM7105</p>  <p>Hex Screw M2.5x6</p> | <p>Part Number: OSHM7106</p>  <p>Hex Screw M2.5x8</p> |
| <p>Part Number: OSHM5123</p>  <p>Hex Screw M2.5x10</p> | <p>Part Number: OSHM7108</p>  <p>Hex Screw M2.5x14 (Partial Thread)</p> | <p>Part Number: OSHM7236</p>  <p>Hex Screw M3x5</p> | <p>Part Number: OSHM7109</p>  <p>Hex Screw M3x6</p> | <p>Part Number: OSHM7110</p>  <p>Hex Screw M3x8</p> | <p>Part Number: OSHM7111</p>  <p>Hex Screw M3x10</p> |
| <p>Part Number: OSHM7292</p>  <p>Hex Screw M3x12</p> | <p>Part Number: OSHM7237</p>  <p>Hex Screw M3x14</p> | <p>Part Number: OSHM4X033</p>  <p>Hex Screw M3x16 (Partial Thread)</p> | <p>Part Number: OSHM7113</p>  <p>Hex Screw M3x18 (Partial Thread)</p> | <p>Part Number: OSHM7114</p>  <p>Hex Screw M3x20 (Partial Thread)</p> | <p>Part Number: OSHM7117</p>  <p>Hex Screw M3x28 (Partial Thread)</p> |
| <p>Part Number: OSHM7238</p>  <p>Hex Screw M3x43 (Partial Thread)</p> | <p>Part Number: OSHM7119</p>  <p>Hex Screw M4x12</p> | <p>Part Number: OSHM7120</p>  <p>Hex Screw M4x18 (Partial Thread)</p> | <p>Part Number: OSHM7122</p>  <p>Hex Screw M4x24 (Partial Thread)</p> | <p>Part Number: OSHF5091</p>  <p>Countersunk Screw M2.5x5</p> | <p>Part Number: OSHM7289</p>  <p>Countersunk Screw M3x6</p> |

| | | | | | |
|--|---|---|--|--|--|
| <p>Part Number: OSHM7112</p>  <p>Countersunk Screw M3x12</p> | <p>Part Number: OSHF5094</p>  <p>Countersunk Screw M3x16.2</p> | <p>Part Number: OSHM7121</p>  <p>Hex Bolt M4x23, M4 Nyloc Nut</p> | <p>Part Number: OSHM7290</p>  <p>Hex Bolt M5x34, M5 Nyloc Nut</p> | <p>Part Number: OSHM7125</p>  <p>Tail Pulley Screw M2.5x14 (custom)</p> | <p>Part Number: OSHM7300</p>  <p>Set Screw M3x4</p> |
| <p>Part Number: OSHM7184</p>  <p>Set Screw M4x3</p> | <p>Part Number: OSHM7127</p>  <p>Set Screw M4x4</p> | <p>Part Number: OSHM7130</p>  <p>Ball Joint Screw M2.5x5x4</p> | <p>Part Number: OSHM7131</p>  <p>Ball Joint Screw M3x6x4.2</p> | <p>Part Number: OSHM7132</p>  <p>Ball Joint Screw M3x6x6.7</p> | <p>Part Number: OSHM7187</p>  <p>Driver Pin</p> |
| <p>Part Number: OSHM7129</p>  <p>Guidance Ball Joint Screw</p> | <p>Part Number: OSHM7138</p>  <p>Bushing 2x4x3.5</p> | <p>Part Number: OSHM7139</p>  <p>Washer 2x5x0.5</p> | <p>Part Number: OSHM7140</p>  <p>Washer 2.5x7x1</p> | <p>Part Number: OSHM7141</p>  <p>Bushing 3x4.5x1.6</p> | <p>Part Number: OSHM7142</p>  <p>Bushing 3x5x2.1</p> |
| <p>Part Number: OSHM7143</p>  <p>Washer 3x6x0.5</p> | <p>Part Number: OSHM7144</p>  <p>Washer 3x7x1</p> | <p>Part Number: OSHM7145</p>  <p>Washer 4x6x0.65</p> | <p>Part Number: OSHM7146</p>  <p>Spacer 4x6x2.5</p> | <p>Part Number: OSHM7147</p>  <p>Washer 5x7x0.5</p> | <p>Part Number: OSHM7148</p>  <p>Washer 6x14x2</p> |
| <p>Part Number: OSHM7149</p>  <p>Spacer 8x10x1.45</p> | <p>Part Number: OSHM7150</p>  <p>Thrust Bearing Washer 10x14x1</p> | <p>Part Number: OSHM7291</p>  <p>Spacer 15.1x17x1.2</p> | <p>Part Number: OSHM7152</p>  <p>Flanged Bearing 3x7x3</p> | <p>Part Number: OSHM7153</p>  <p>Flanged Bearing 3x8x3</p> | <p>Part Number: OSHM7154</p>  <p>Flanged Bearing 6x15x5</p> |

| | | | | | |
|--|--|---|--|---|--|
| <p>Part Number: OSHM7155</p>  <p>Flanged Bearing 8x12x3.5</p> | <p>Part Number: OSHM7156</p>  <p>Axial Bearing 5x10x4</p> | <p>Part Number: OSHM7157</p>  <p>Axial Bearing 10x18x5.5</p> | <p>Part Number: OSHM7158</p>  <p>Bearing 3x8x3</p> | <p>Part Number: OSHM7159</p>  <p>Bearing 4x12x4</p> | <p>Part Number: OSHM7160</p>  <p>Bearing 5x10x4</p> |
| <p>Part Number: OSHM7161</p>  <p>Bearing 8x16x5</p> | <p>Part Number: OSHM7162</p>  <p>Bearing 10x19x7</p> | <p>Part Number: OSHM7163</p>  <p>Bearing 15x21x4</p> | <p>Part Number: OSHM7164</p>  <p>Bearing 15x24x5</p> | <p>Part Number: OSHM7165</p>  <p>Bearing 15x24x7</p> | <p>Part Number: OSHB5102</p>  <p>Bearing 30x37x4</p> |
| <p>Part Number: OSHM7051</p>  <p>M7 Battery Straps</p> | <p>Part Number: OSHM7133</p>  <p>M2 Nyloc Nut</p> | <p>Part Number: OSHM7134</p>  <p>M2.5 Nyloc Nut</p> | <p>Part Number: OSHM7135</p>  <p>M3 Nyloc Nut</p> | <p>Part Number: OSHM7136</p>  <p>M4 Nyloc Nut</p> | <p>Part Number: OSHM7137</p>  <p>M5 Nyloc Nut</p> |
| <p>Part Number: OSHM7294</p>  <p>Landing Gear End Cap</p> | <p>Part Number: OSHM7185</p>  <p>Backup Capacitor 25F 8.4V</p> | <p>Part Number: OSHM7186</p>  <p>Backup Capacitor 25F 12V</p> | <p>Part Number: OSHM7181</p>  <p>Canopy Mount Sacrificial Plate</p> | <p>Part Number: OSHM7193</p>  <p>Metal Servo Arm 25T Lock-Left</p> | <p>Part Number: OSHM7194</p>  <p>Metal Servo Arm 25T Lock-Right</p> |
| <p>Part Number: OSHM7303</p>  <p>Main Rotor Blade Bushing-1 5.7</p> | <p>Part Number: OSHM7304</p>  <p>Main Rotor Blade Bushing-2 6.7</p> | | | | |



The information, photos, and instructions contained in this manual are the property of OMPHOBBY and may not be copied or distributed without authorization.

Furthermore, OMPHOBBY reserves the right to modify any information in this manual.

This manual is subject to change without prior notice.

You can verify the latest version of the manual at the official OMPHOBBY website www.omphobby.com

Carefully check your model before each flight to ensure it is airworthy.

Consider flying only in areas dedicated to the use of model helicopters.

Check and inspect the flying area to ensure it is clear of people and obstacles.

Rotor blades can rotate at very high speeds! Be aware of the danger they pose.

Always keep the model at a safe distance from other pilots and spectators.

Avoid maneuvers with trajectories towards a crowd.

Always maintain a safe distance from the model.

W W W . O M P H O B B Y . C O M

Endnotes